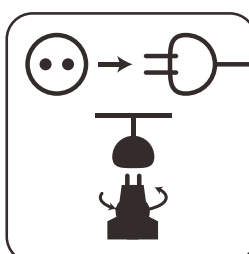
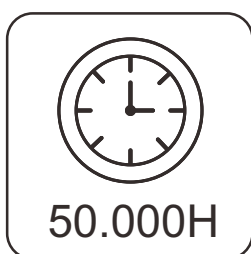


ASTRONAUT SERIES

LED UFO HIGH BAY



EUROPEAN DESIGN PATENT



Better Performance



Unique design & Anti-glaring Lens



Unique Appearance Design
less market competition



Old Appearance Design
too much market competition



Anti-Glareing
more eye-protection



Normal High Bay
high glaring



More Flexible

It is not only a standard highbay but everything



Sensor Options

*Micro-wave
& Daylight*

*PIR
& Daylight*

PLUG-IN SENSOR

MOVEMENT DETECT



Range of exposure
120°

12m

18m

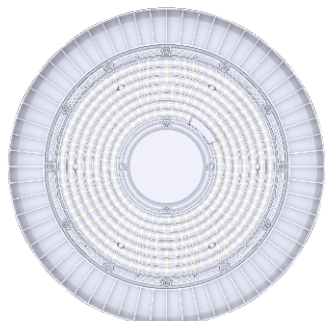


Plug-in Sensor

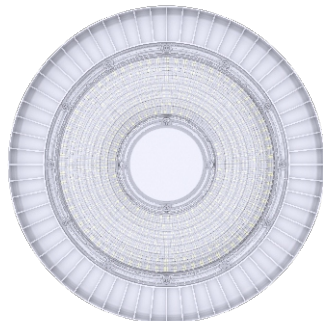
Natural Light Detect



Standard Version



90° lens

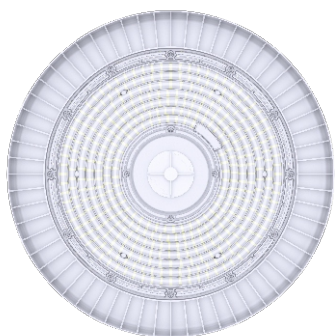


110° Anti-glare Lens

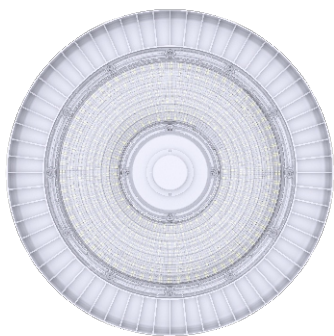


Without Sensor

Plug-in Sensor Version



90° lens



110° Anti-glare Lens



Sensor Available



Efficiency
160lm/w

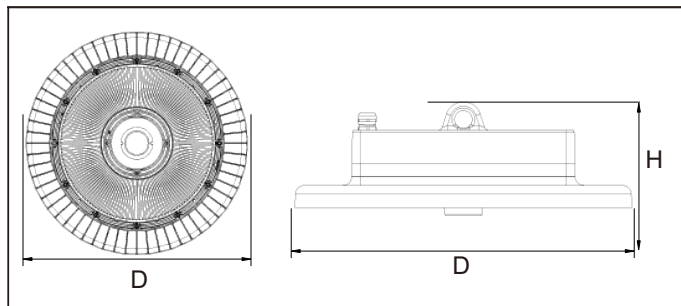


Philips LED + Sosen Driver
Long Lifetime 5 Years Warranty



Features

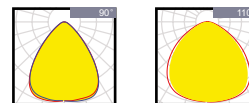
- Housing: Die-cast
- Thermal Conductivity: 96 W/m · K
- Led: Philips
- CRI: Ra>80 (90 for option)
- SDCM: <6
- Power Factor: >0.95
- THD: <15
- Driver: Sosen
- Driver Efficiency: >93%
- Protection: OTP, OCP, OVP, SCP
- Surge Protection: 4KV
- Waterproof: IP65
- Impact Test: IK08
- Electrical: 100-277V, 50/60Hz
- Operating Temperature: -40~60 °C
- TM21: L80B10>50,000H
- Lifetime: 50,000H



Functions

ZigBee · PWM · 0/1~10V · Micro-wave

Optical options:



160 lm/w

5 YEARS WARRANTY

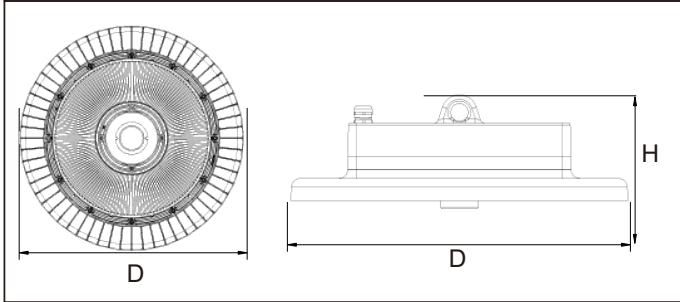
Sosen Driver

Philips LED

Model	Watt	Voltage	Lumen	CRI	IP	Dimension
HB100AE4I-PY	100W	100~277V	16000LM	>80	IP65	D380*H130mm
HB150AE4I-PY	150W	100~277V	24000LM	>80	IP65	D380*H130mm
HB200AE4I-PY	200W	100~277V	32000LM	>80	IP65	D380*H130mm
HB240AE4I-PY	240W	100~277V	38400LM	>80	IP65	D380*H130mm

Astronaut series

Packing



Model	Outer Carton(mm)			QTY / CTN	NW/CTN	GW/CTN
HB100AE4I-PY	450	450	170	1	2.50	3.70
HB150AE4I-PY	450	450	170	1	2.60	3.80
HB200AE4I-PY	450	450	170	1	2.70	3.90
HB240AE4I-PY	450	450	170	1	2.70	3.90

