

# Crossover Series



## With Plug-in Sensor

With plug in sensor and different function options such as PIR sensor, micro-wave sensor etc, our Crossover series UFO is the ideal solution to lower inventory, faster stock turnover, cost saver, and more options for end user. It not only lowers the purchasing cost, but also increases customers' competitive advantage.

# Plug-in Sensor

## Plug in and play

.....  
*With plug in sensor and different function options such as PIR sensor, micro-wave sensor, etc, our Crossover series UFO is the ideal solution to lower inventory, faster stock stock turnover, cost saver, and more options for end user. It not only lowers the purchasing cost, but also increases customers' competitive advantage.*  
.....



**200**  
LM/W

Sosen driver and Sanan led  
are used to reach 200lm/w

# More Energy Saving

More energy saving lighting products are required strongly day by day. And customers pay more attention to the cost saving in a long term run now. Not only higher brightness is a key, but also smart control will save more energy automatically. Our Crossover UFO is the ideal solution to meet customers' need. 200lm/w brightness will save half energy than other competitors, and also the plug-in sensor option will save 40%-60% energy.



**Crossover**

**VS**

**OTHERS**

Manufacturer	unicornlite	others
Power	120w	200w
Brightness	24000lm	24000lm
Comsumption per month (6H/D, 20D/M)	14.4 kwh	24 kwh
Constant illuminance saving (day light and micro-wave sensor)	40%-60%	non
Electric charge	0.305\$/kwh	0.305\$/kwh
Device used	100pcs	100pcs
<b>Electric charge per month</b>	<b>\$263.52</b>	<b>\$732.00</b>
<b>Electric charge in 5 years</b>	<b>\$15,811.20</b>	<b>\$43,920.00</b>

# More Flexible

*It is not only a standard highbay but everything*



## Sensor Options

*Micro-wave  
& Daylight*

*PIR  
& Daylight*



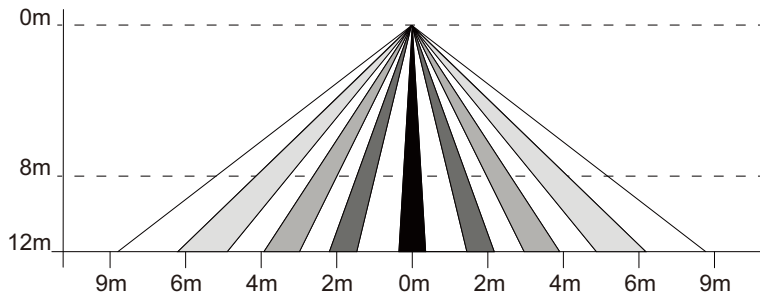
### *Easy=Money saving*

*To compare with the sensor highbay and zigbee control, our light is more easy to use, more flexible, and easy installation. This not only lowers the label cost, but also makes marketing more easy and provide more options to end user.*

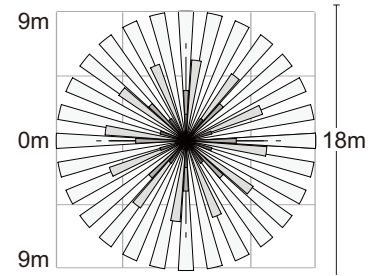


Detection

Coverage Side View



Coverage Top View



**DIMMING FUNCTION**

This function inside the motion sensor to achieve tri-level control, for some areas which require a light change notice before switch-off. The sensor offers 3 levels of light: 100%-->dimmed light (natural light is insufficient) -->off; and 2 periods of selectable waiting time: motion hold-time and stand-by period; Selectable daylight threshold and freedom of detection area.



With sufficient natural light, the light does not switch on when presence is detected.



With insufficient natural light, the sensor switches on the light automatically when presence is detected.



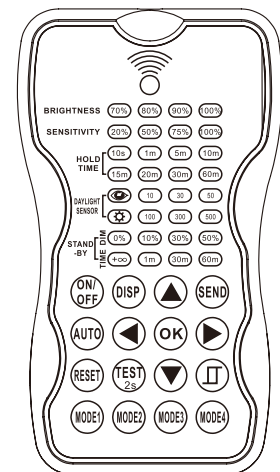
After hold-time, the light dims to stand-by level if the surrounding natural light is below the daylight threshold.



Light switches off automatically after the stand-by period elapses.

**Re-programmable**

Fixed on up to 12 meters after installation, the high bay will be not easy to adjust the working program. But the user may not satisfied with the performance and sensitivity or Dim level is needed to adjust for different season. In order to make the extra work easy and no machines are needed, one remote control is provided to re-program the sensor.



Distance range: 12m  
Battery: AAAx2



## Features

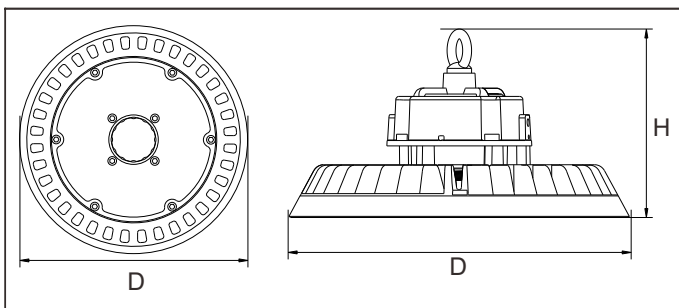
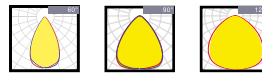
Housing: Die-cast  
 Thermal Conductivity: 96 W/m·K  
 Led: Sanan  
 CRI: Ra>70 ( 80 for option)  
 SDCM: <6  
 Power Factor: >0.95  
 THD: <15  
 Driver: Sosen  
 Driver Efficiency: >93%  
 Protection: OTP, OCP, OVP, SCP  
 Surge Protection: 4KV  
 Waterproof: IP65  
 Impact Test: IK08  
 Electrical: 100-277V, 50/60Hz  
 Operating Temperature: -40~60°C  
 TM21: L80B10>50,000H  
 Lifetime: 50,000H



## Functions

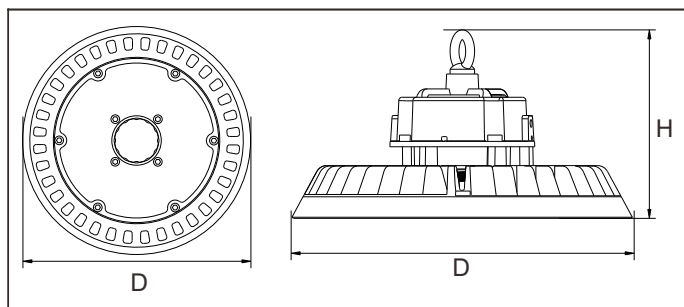
ZigBee · PWM · 0/1~10V · Micro-wave

## Optical options:



Model	Watt	Voltage	Lumen	CRI	IP	Dimension
HB100CE0M-SYS	100W	100~277V	20000LM	>70(80)	IP65	D308*H181
HB120CE2M-SYS	120W	100~277V	24000LM	>70(80)	IP65	D308*H181
HB150CE2M-SYS	150W	100~277V	30000LM	>70(80)	IP65	D308*H181
HB200CE4M-SYS	200W	100~277V	40000LM	>70(80)	IP65	D354*H183

# Packing



Model	Outer Carton(mm)			QTY / CTN	NW/CTN	GW/CTN
HB100CE0M-SYS	365	365	150	1	2.20	3.00
HB120CE2M-SYS	365	365	150	1	2.20	3.00
HB150CE2M-SYS	365	365	150	1	2.20	3.00
HB200CE4M-SYS	410	410	155	1	2.90	3.90