



## Redefine Anti-Glaring

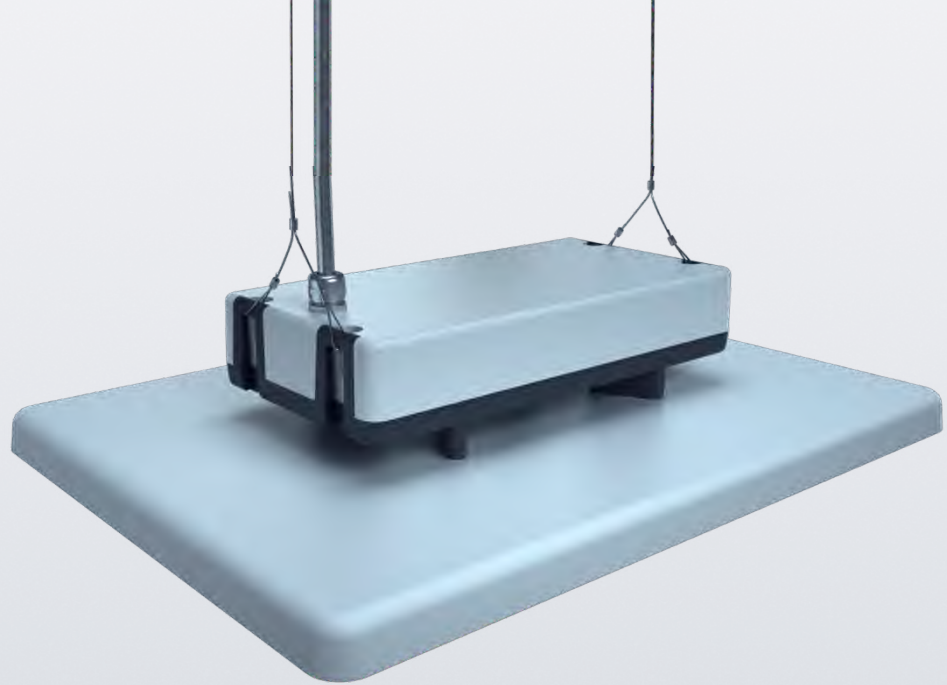
*Anti-glaring light is required more and more for applications where people doesn't feel comfortable with the glaring light, especially when the light were not very high. MILDBEAM is the ideal solution for visual protection. This increases the performance of staff and the quality of their work.*



# 160LM/W



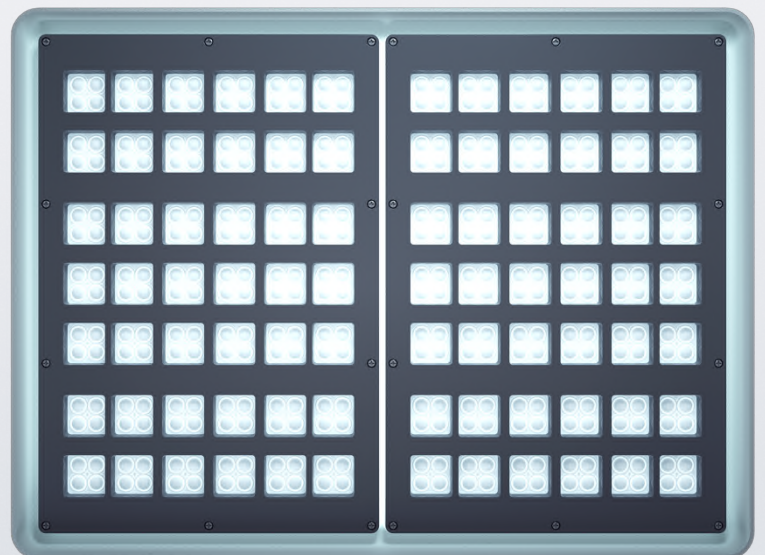
**Anti  
Glaring**

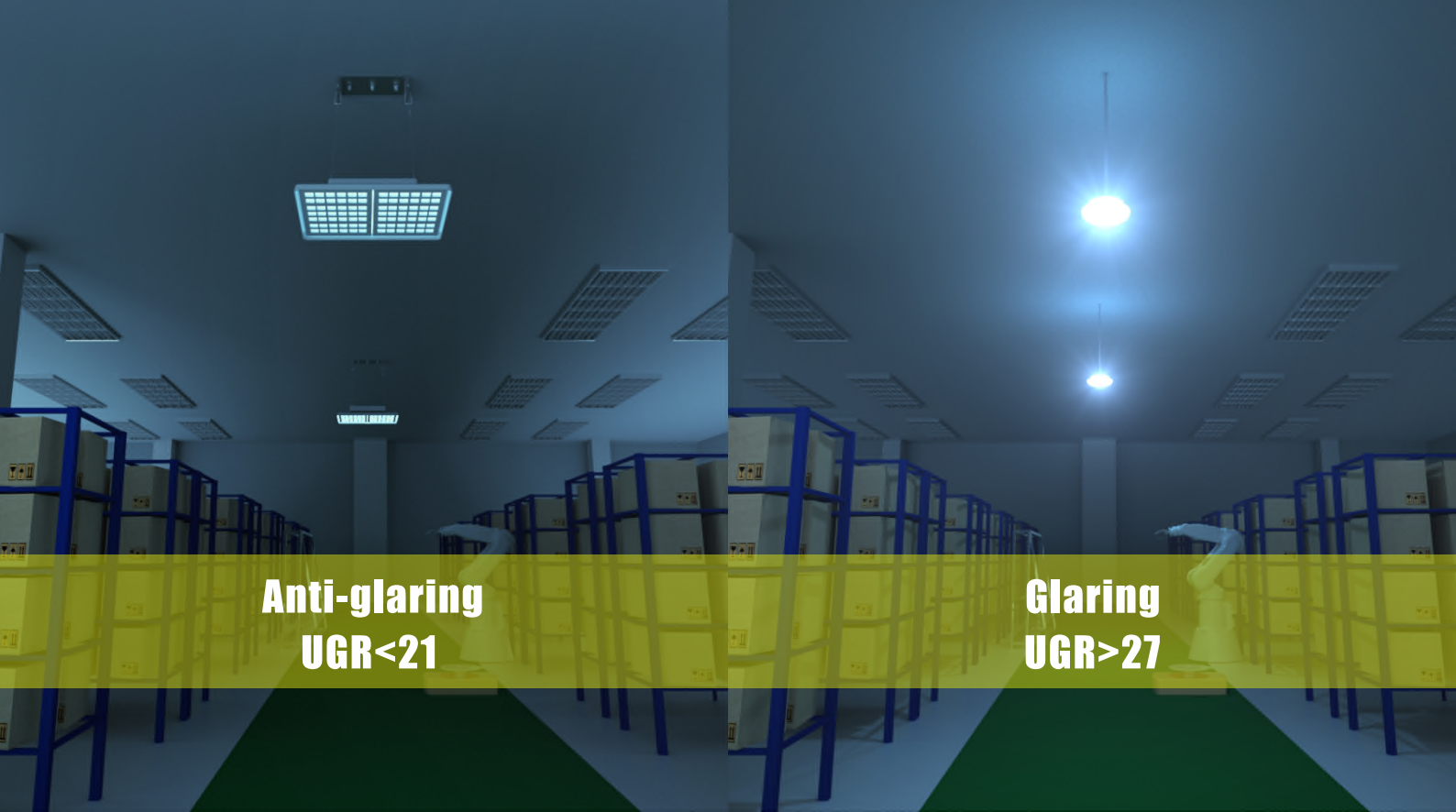


**160LM/W  
UGR<21**

## Advanced UGR technology

The Optics was specially developed to minimize glare and maximize homogeneity. With an anti-glaring film on the lens and a shield in front, we managed to achieve UGR<19

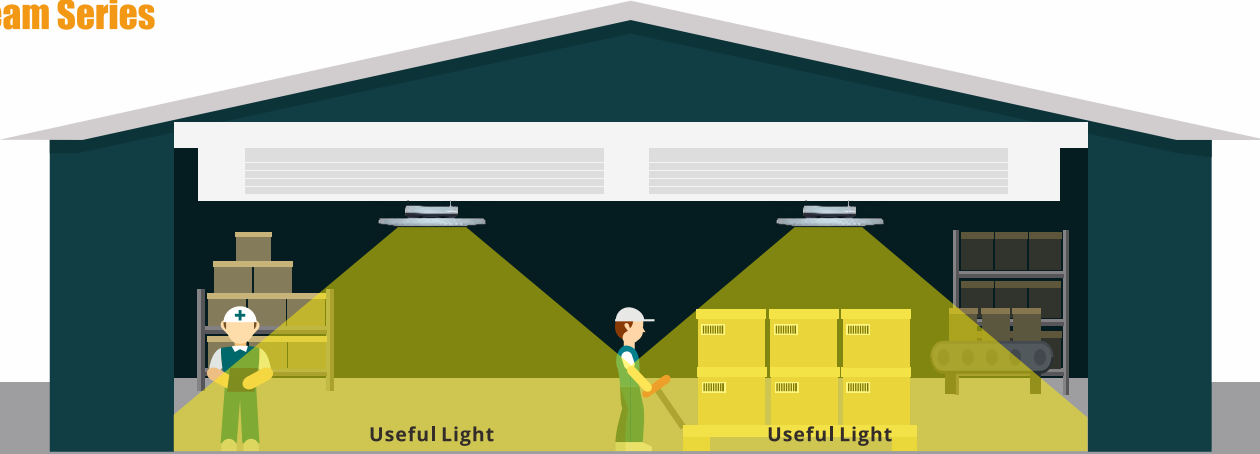




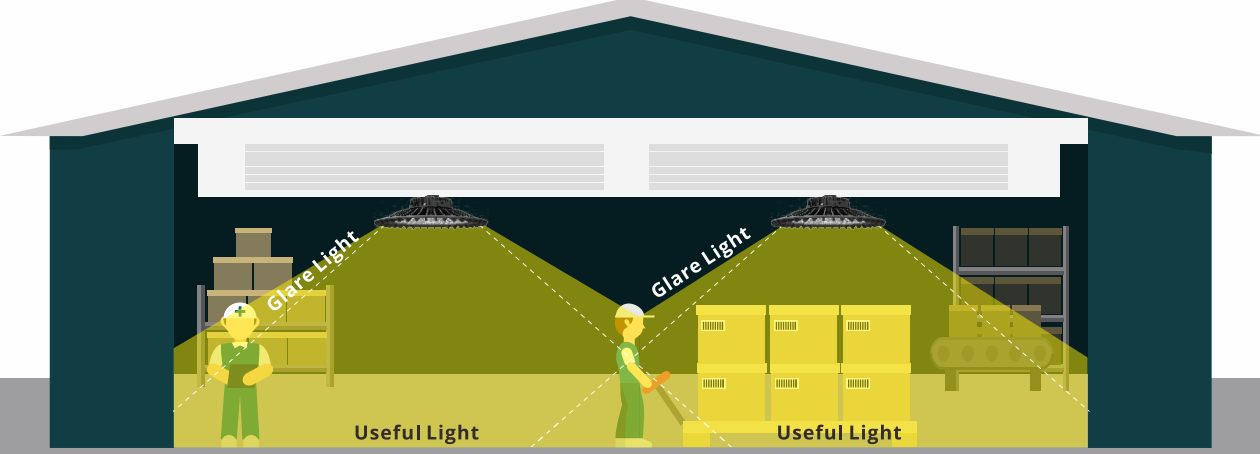
**Anti-glaring**  
**UGR<21**

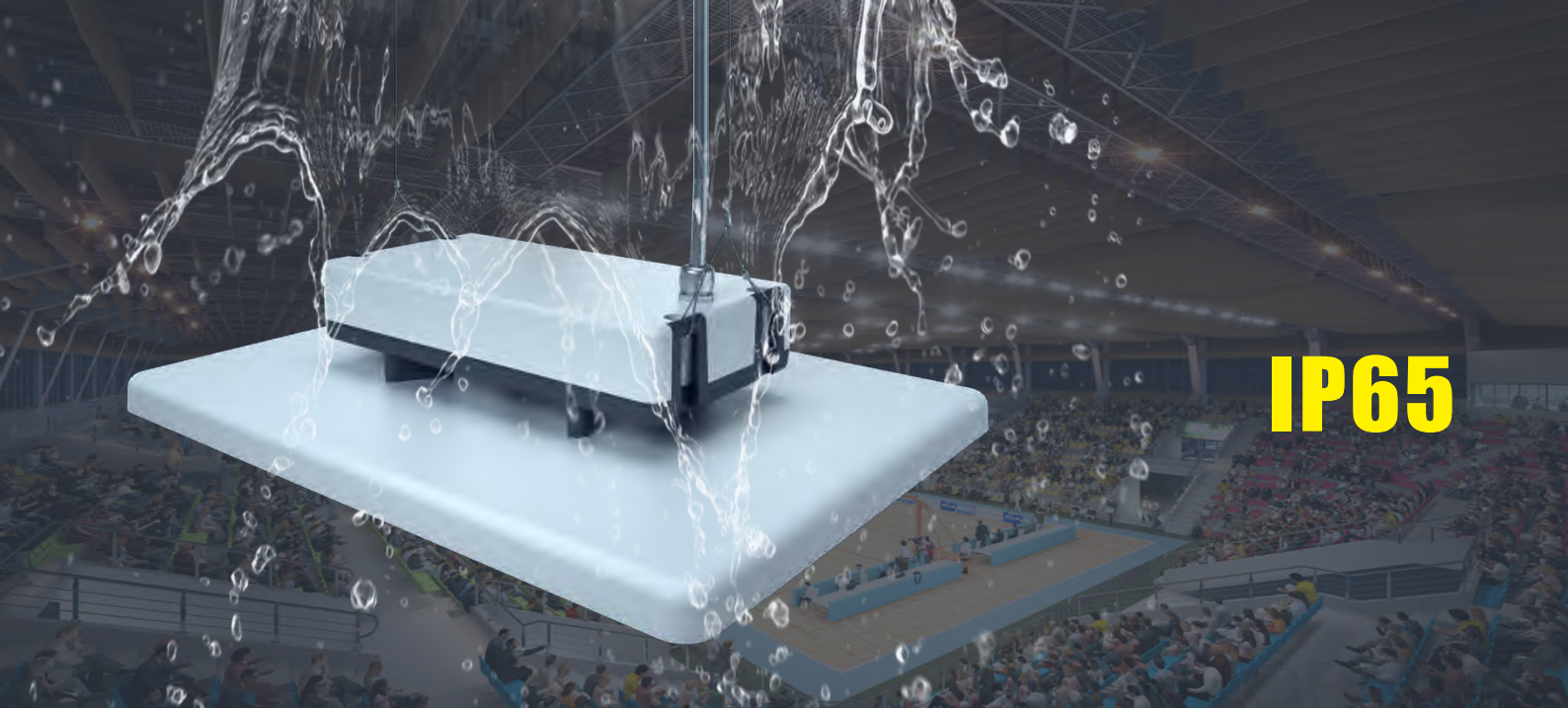
**Glaring**  
**UGR>27**

**Mildbeam Series**

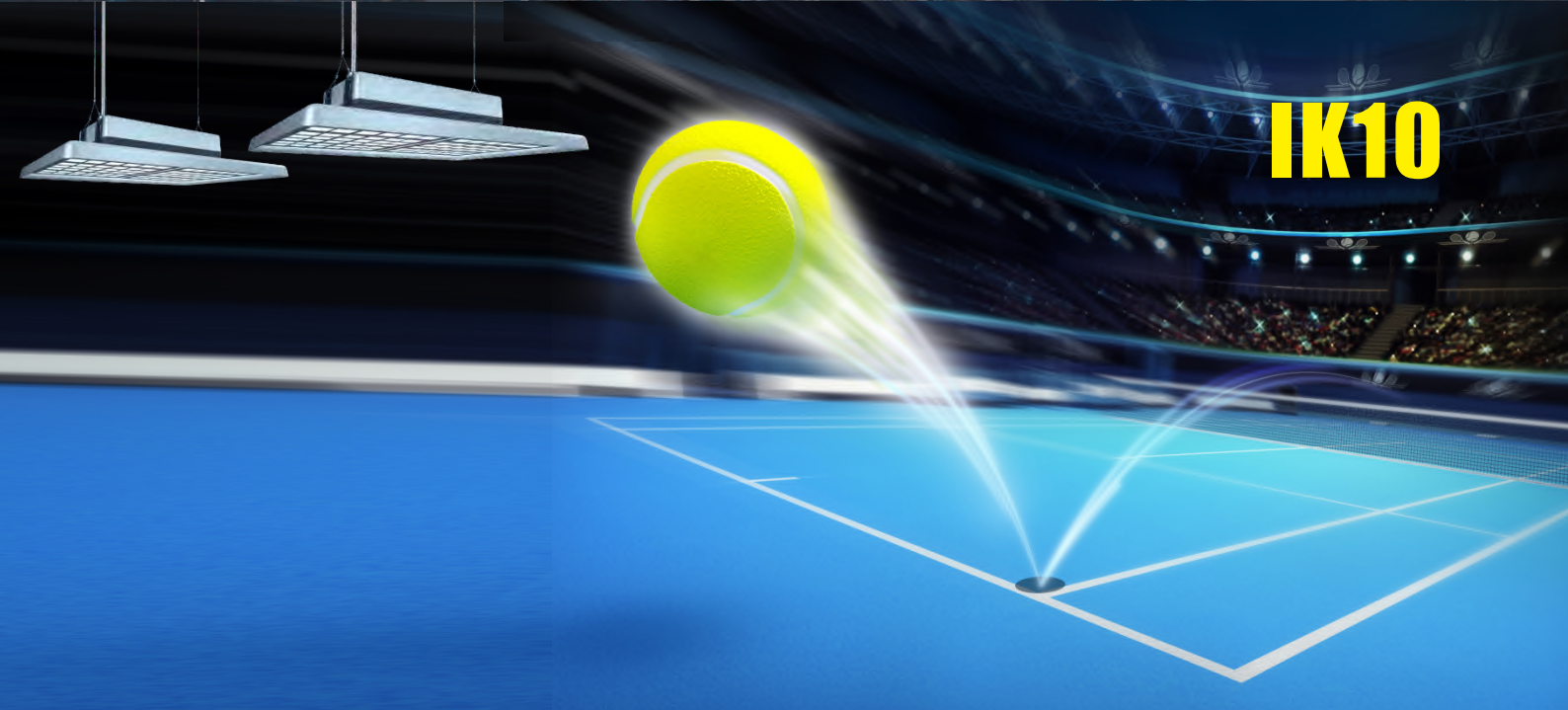


**Others**





**IP65**



**IK10**



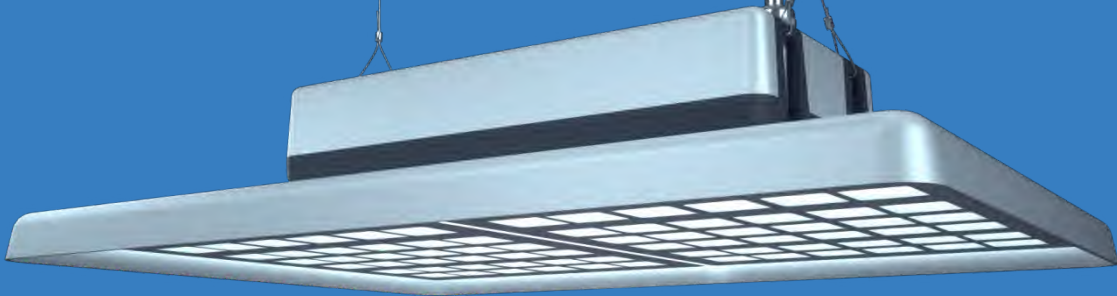
**PERFECT FOR STADIUM**

## Excellent Heat Dissipation

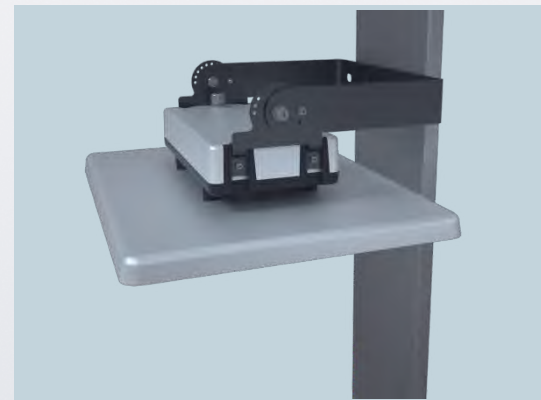
In order to simulate that under dusty working environment for 5 years time, the whole fixture was fulfilled with dust. Then the temperature of LED and Driver Tc increase 2 degrees only.



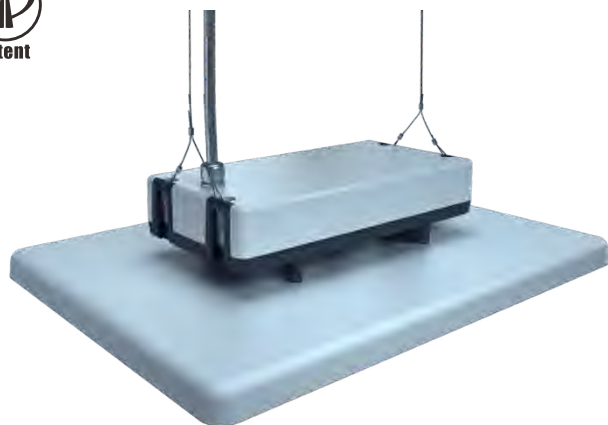
**Europe Design Patent**



## Simple installation



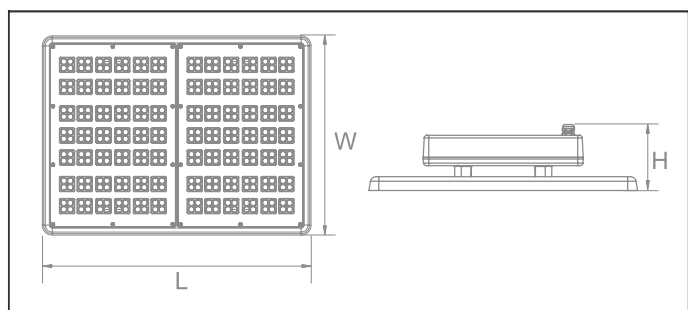
With ceiling installation accessory equipped with mains lead, the two suspension points at the ceiling could be combined to One-Point installation. This saves time and cost for installation. And even vibrations and air movements are no longer able to twist it.



**160LM/W**

## Features

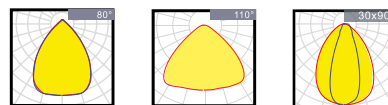
- Housing: Pure Aluminum
- Thermal Conductivity: 226 W/m·K
- Led: CREE JK 3030
- CRI: Ra>80
- SDCM: <6
- Power Factor: >0.95
- THD: <15
- Driver: Osram
- Driver Efficiency: >93%
- Protection: OTP, OCP, OVP, SCP
- Surge Protection: 10KV
- Waterproof: IP65
- Impact Test: IK10
- Electrical: 220-240V, 50/60Hz
- Operating Temperature: -40~50°C
- Tm21: L90B10>50,000H
- Lifetime: 50,000H



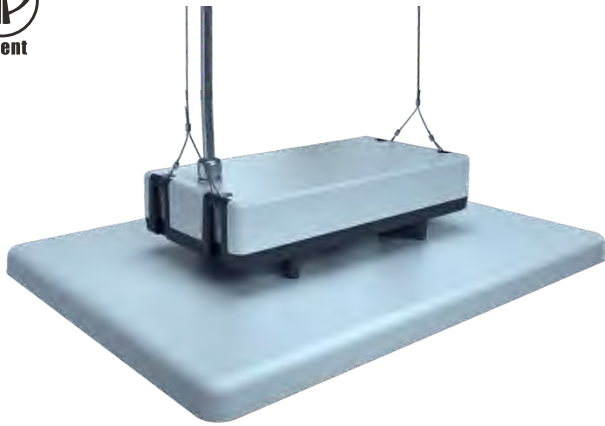
## Functions

ZigBee · PWM · DALI · 0/1~10V · Micro-wave

## Optical options:



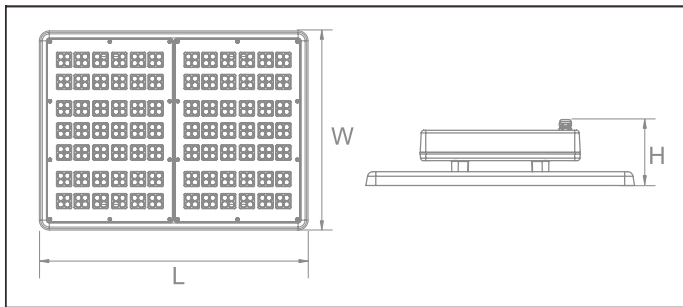
| Model        | Watt | Voltage  | Lumen   | CRI | IP   | Dimension        |
|--------------|------|----------|---------|-----|------|------------------|
| HB060ME2I-CO | 60W  | 220~240V | 9600LM  | >80 | IP65 | L362*W257*H120MM |
| HB100ME2I-CO | 100W | 220~240V | 16000LM | >80 | IP65 | L362*W257*H120MM |
| HB120ME2I-CO | 120W | 220~240V | 19200LM | >80 | IP65 | L415*W310*H120MM |
| HB150ME4I-CO | 150W | 220~240V | 24000LM | >80 | IP65 | L487*W362*H120MM |
| HB200ME4I-CO | 200W | 220~240V | 32000LM | >80 | IP65 | L487*W362*H120MM |
| HB300ME6I-CO | 300W | 220~240V | 48000LM | >80 | IP65 | L720*W365*H130MM |
| HB360ME6I-CO | 360W | 220~240V | 57600LM | >80 | IP65 | L720*W365*H130MM |



**160LM/W**

## Features

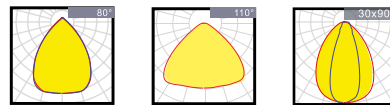
- Housing: Pure Aluminum
- Thermal Conductivity: 226 W/m·K
- Led: Philips
- CRI: Ra>8
- SDCM: <6
- Power Factor: >0.95
- THD: <15
- Driver: Sosen
- Driver Efficiency: >93%
- Protection: OTP, OCP, OVP, SCP
- Surge Protection: 4KV
- Waterproof: IP65
- Impact Test: IK10
- Electrical: 100-277V, 50/60Hz
- Operating Temperature: -40~50°C
- Tm21: L90B10>50,000H
- Lifetime: 50,000H



## Functions

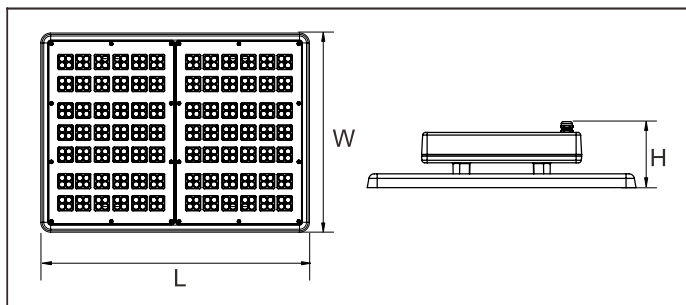
ZigBee · PWM · DALI · 0/1~10V · Micro-wave

## Optical options:



| Model        | Watt | Voltage  | Lumen   | CRI | IP   | Dimension        |
|--------------|------|----------|---------|-----|------|------------------|
| HB100ME2I-PS | 100W | 100~277V | 16000LM | >80 | IP65 | L362*W257*H120MM |
| HB120ME2I-PS | 120W | 100~277V | 19200LM | >80 | IP65 | L415*W310*H120MM |
| HB150ME4I-PS | 150W | 100~277V | 24000LM | >80 | IP65 | L487*W362*H120MM |
| HB200ME4I-PS | 200W | 100~277V | 32000LM | >80 | IP65 | L487*W362*H120MM |

# Packing



| Model     | L*W*H<br>(mm) | Outer Carton(mm) |     |     | QTY/CTN | NW/CTN | GW/CTN |
|-----------|---------------|------------------|-----|-----|---------|--------|--------|
| HB060ME2F | 362*257*120   | 460              | 330 | 175 | 1       | 4.1    | 4.5    |
| HB100ME2F | 362*257*120   | 460              | 330 | 175 | 1       | 4.1    | 4.5    |
| HB150ME2F | 415*310*120   | 500              | 385 | 175 | 1       | 4.4    | 5.0    |
| HB200ME4F | 487*362*120   | 560              | 430 | 175 | 1       | 5.8    | 6.5    |
| HB300ME6F | 720*365*130   | 820              | 445 | 195 | 1       | 7.5    | 8.7    |
| HB360ME6F | 720*365*130   | 820              | 445 | 195 | 1       | 7.5    | 8.7    |