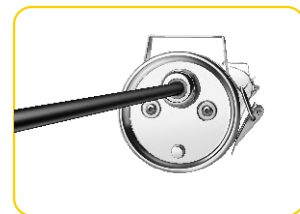
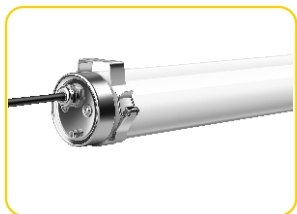


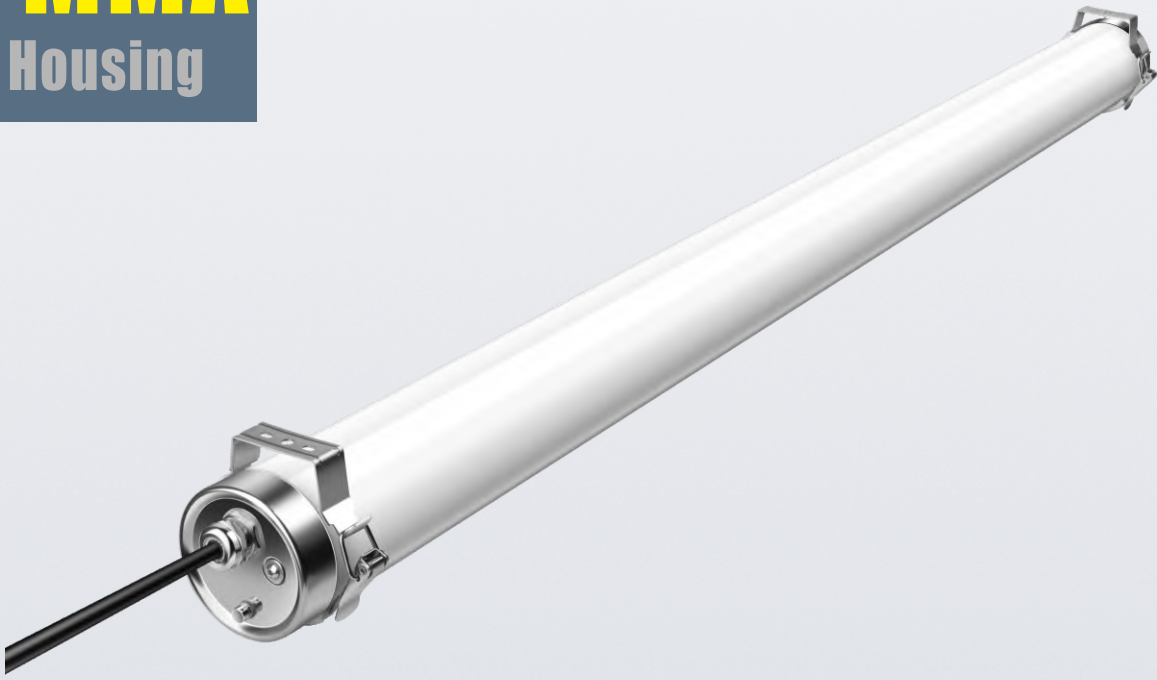


CELLAR

“ At the beginning of the 20th century, light had been verified that can present organoleptic risks to our wines. Even short light exposures have a cumulative effect on the appearance of the taste. Our Cellar light with a narrow spectrum and centered on 590 nm, is the most protective and ideal solution for this application. ”



PMMA Housing

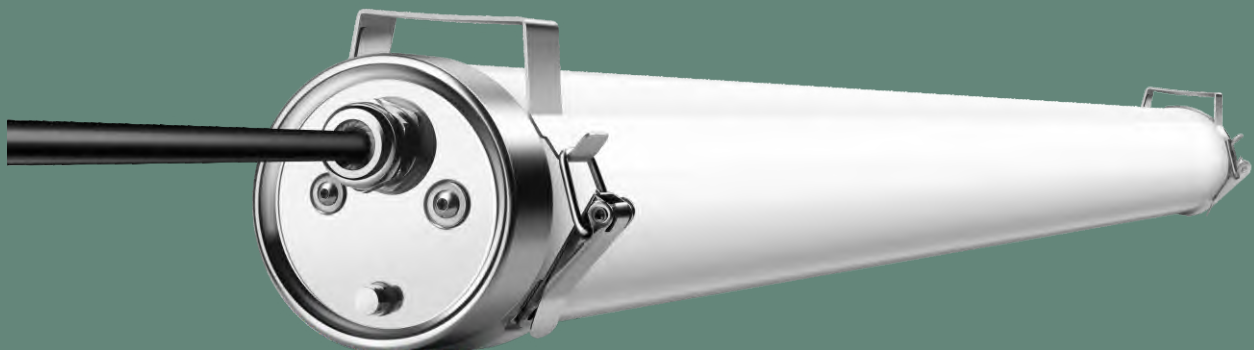


At the beginning of the 20th century, light had been verified that can present organoleptic risks to our wines. UV is not the only cause of deviations, certain wavelengths in the visible are harmful to our wines, especially in the lower spectrum (blue cyan). Even short light exposures have a cumulative effect on the appearance of the taste. Our Cellar light with a narrow spectrum and centered on 590 nm, is the most protective and ideal solution for this application.



60LM/W

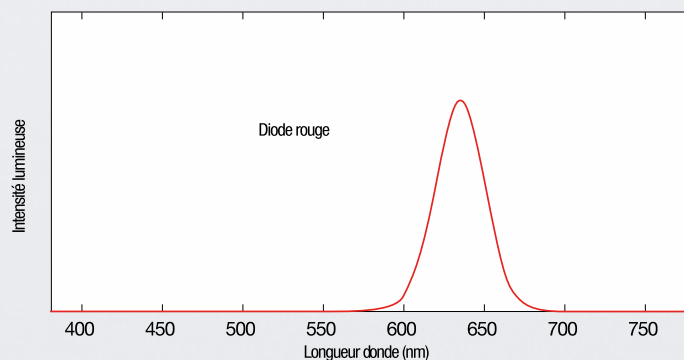
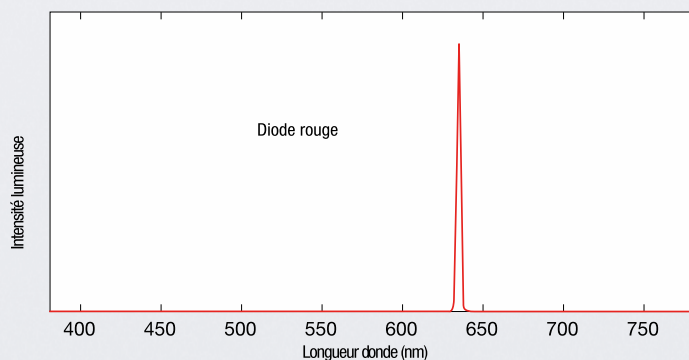
Osram led and Osram driver are used to guarantee performance



WINE

CELLAR

As proof, a test carried out with two lamps both with a spectrum whose maximum peak is located at 590 nm, but with different emission spectra as shown in Figure below. The left doesn't change the wine, while the right causes deviations.





IP69K

.....

Due to the risk of corrosion by contact with the alkaline environments created by the presence of carbonate ions in the humid atmosphere of the cellars, PMMA material housing and stainless steel end cap are used to ensure long lifetime.

.....

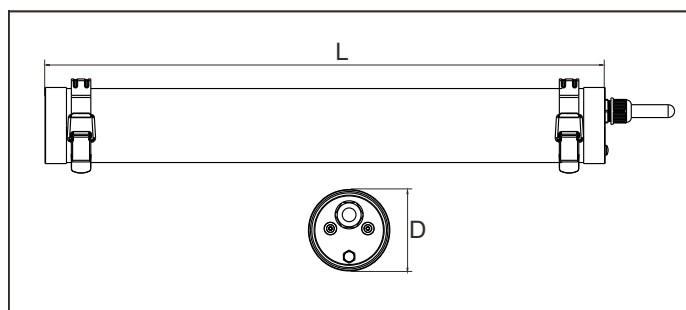
**Easy
Installation**





Features

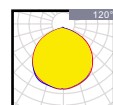
Housing: PMMA
 Thermal Conductivity: 226 W/m·K
 Led: Osram
 Wave: 590nm
 SDCM: <6
 Power Factor: >0.90
 THD: <15
 Driver: Osram
 Driver Efficiency: >90%
 Protection: OTP, OCP, OVP, SCP
 Surge Protection: 2KV
 Waterproof: IP69K
 Impact Test: IK08
 Electrical: 220-240V, 50/60Hz
 Operating Temperature: -20~45C°
 TM21: L80B10>50,000H
 Lifetime: 50,000H



Functions

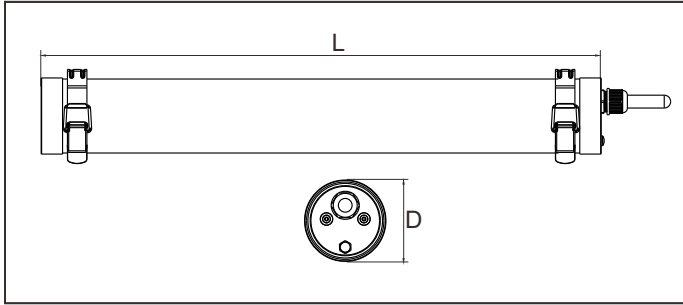
ZigBee • PWM • DALI • 0/1~10V • Micro-wave

Optical options:



Model	Watt	Voltage	Lumen	Wave Length	IP	Dimension
CL020CE2A-OO	20W	220~240V	1200LM	590NM	IP69K	L600*D81MM
CL040CE4A-OO	40W	220~240V	2400LM	590NM	IP69K	L1200*D81MM
CL060CE5A-OO	60W	220~240V	3600LM	590NM	IP69K	L1500*D81MM

Packing



Model	Dimension (mm)	Inner Carton(mm)			QTY / Inner CTN	Outer Carton(mm)			QTY / Outer CTN	NW/ CTN	GW/ CTN
CL020CE2A	L600*D81	660	95	90	1	680	290	305	9	9.90	11.50
CL040CE4A	L1200*D81	1260	95	90	1	1280	290	305	9	17.10	19.50
CL060CE5A	L1500*D81	1560	95	90	1	1580	290	305	9	20.70	23.50