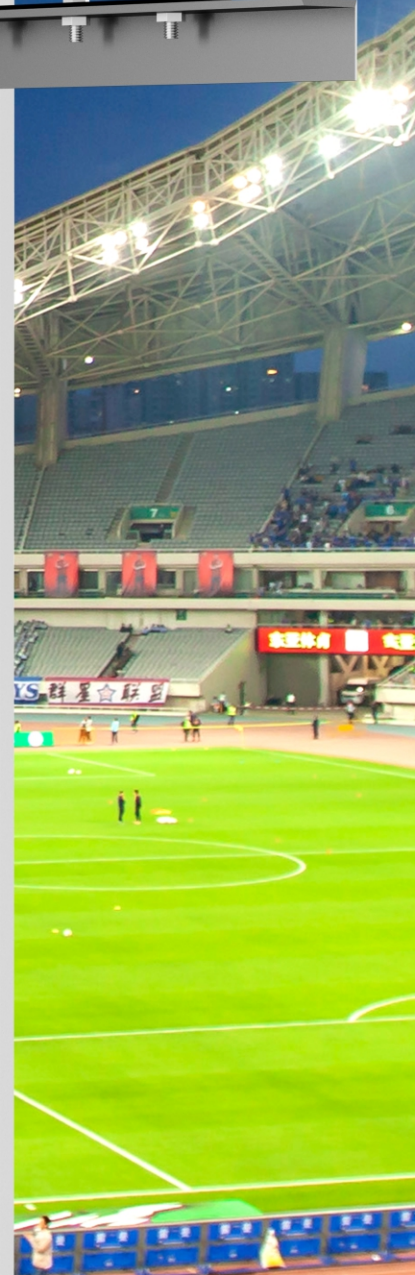
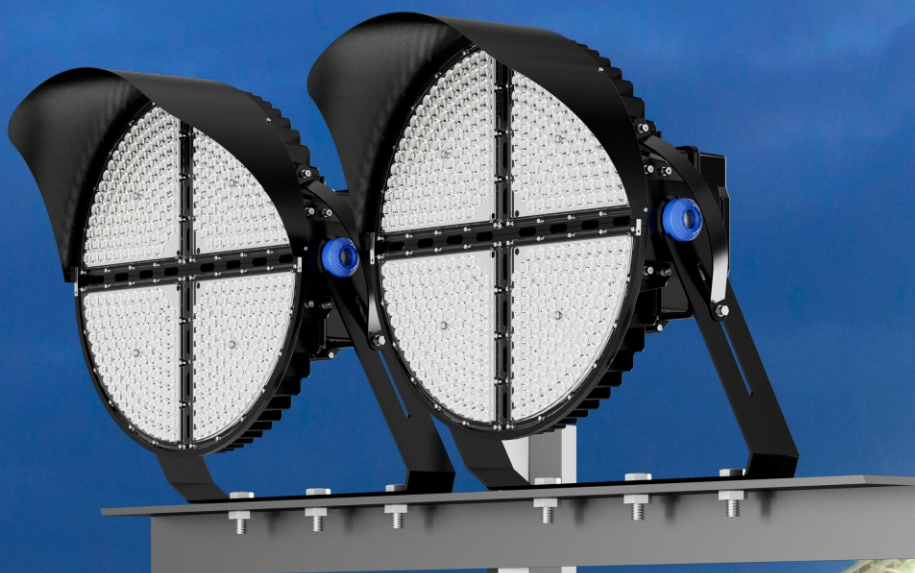


LED High Mast Light Diadem Series



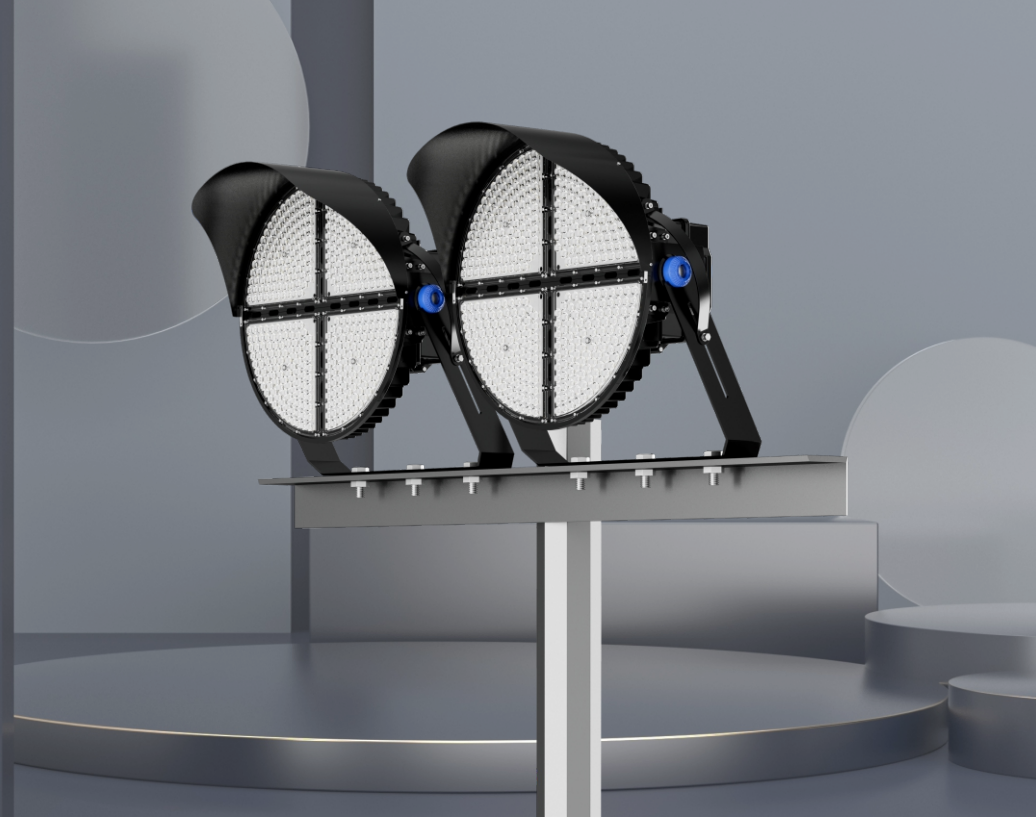
190 LM/W



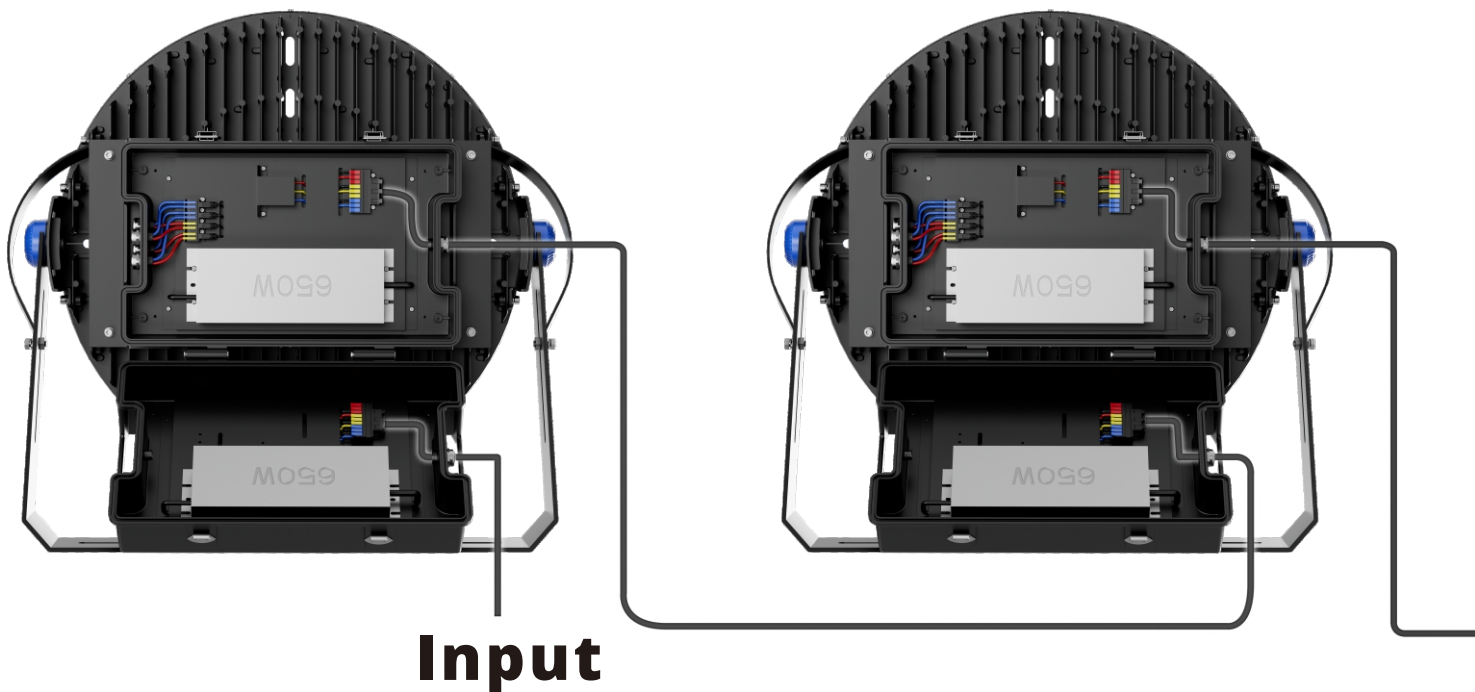
High
Brightness

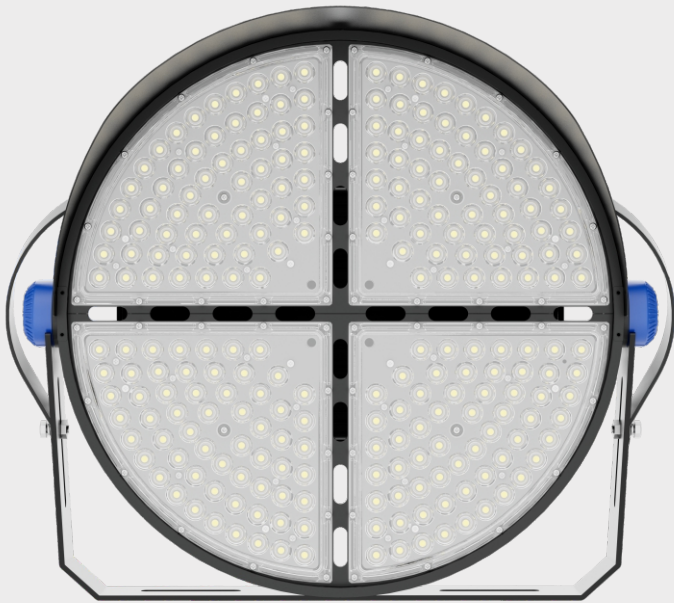


RoHS
compliant



Easy to open the Driver to Rewire in Series

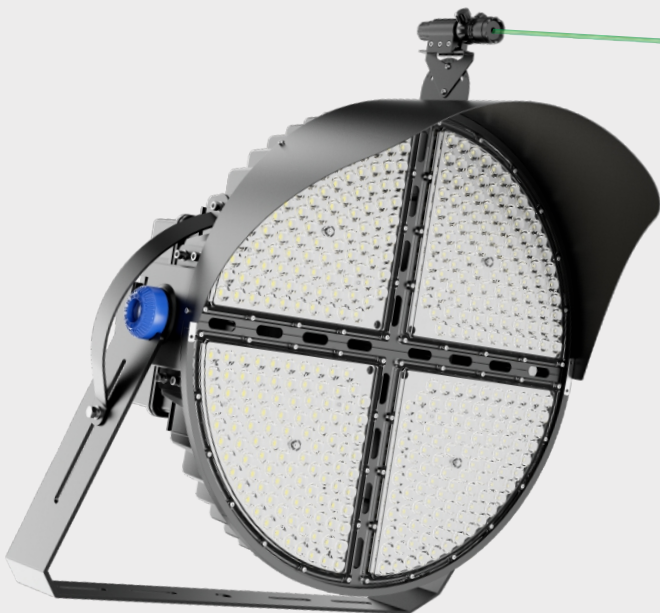
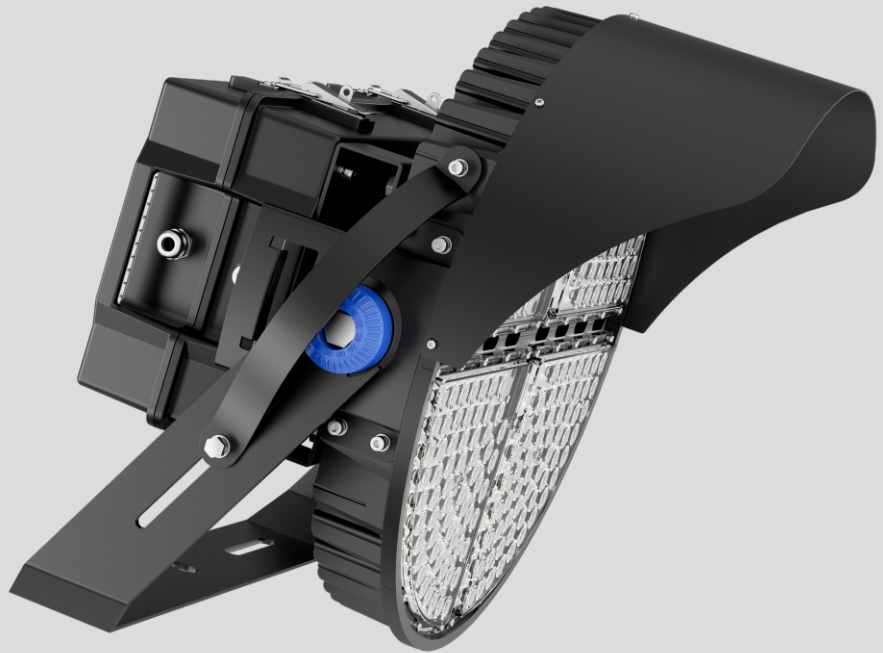
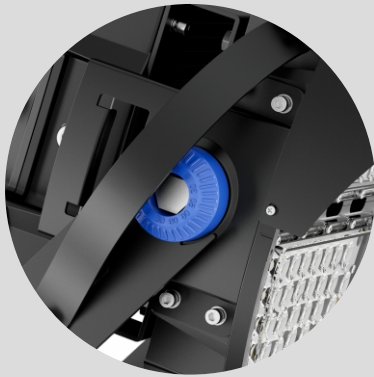




Visor

Minimizing glare light
and spill light

Precise Angle Rotation



Laser Sight

Easily adjust the direction
of illumination to achieve
maximum lux and uniformity.

**IP66 Waterproof
10/20kv Surge Protection**



HD TV Broadcasting

The LED source has an high TLCI index and a chromatic render index up to 90. This provides the camera with the real color of the scene and flicker-free shooting.

Driver External

Driver box can be fixed on bracket or on pole in order to lower the weight of whole fixture and easy maintenance.





RoHS compliant

LM 79

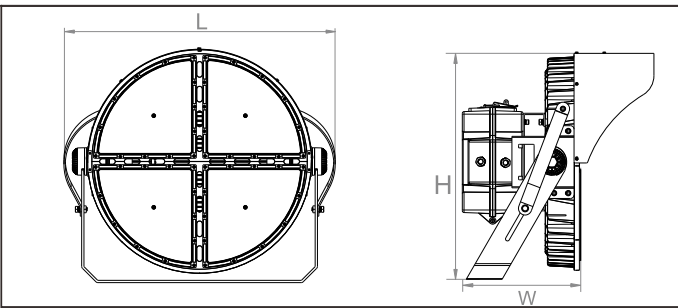
LM 80

TM 21



Features

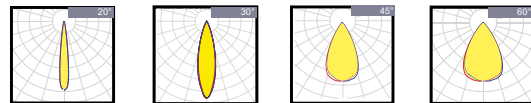
- Housing: Pure Aluminum
- Thermal Conductivity: 96W/m·K
- Led: Cree 5050
- CRI: Ra>70
- SDCM: <6
- Power Factor: >0.95
- THD: <15
- Driver: Sosen
- Driver Efficiency: >97%
- Protection: OTP, OCP, OVP, SCP
- Surge Protection: 10KV
- Waterproof: IP66
- Impact Test: IK08
- Electrical: 180-305V, 50/60Hz
- Operating Temperature: -40~60 °C
- Tm21: L90B10>50,000H
- Lifetime: 50,000H



Functions

ZigBee · DMX · DALI · 0/1~10V

Optical options:



Model	Watt	Voltage	Efficiency	Lumen	CRI	IP	Dimension
HM500DE4K-CS	500W	180~305V	190LM/W	95000LM	>70	IP66	592*509*263
HM600DE4K-CS	600W	180~305V	180LM/W	108000LM	>70	IP66	592*509*263
HM800DE4K-CS	800W	180~305V	190LM/W	152000LM	>70	IP66	697*649*263
HM1K0DE4K-CS	1000W	180~305V	180LM/W	180000LM	>70	IP66	697*649*263

Packing

Luminaire

Model	Dimension (mm)	Outer Carton (mm)			QTY / Outer CTN	Luminaire	
		L	W	H		NW(kg)	GW(kg)
HM500DE4K-CS	592*509*263	775	700	370	1	21.50	25.50
HM600DE4K-CS	592*509*263	775	700	370	1	21.50	25.50
HM800DE4K-CS	697*649*263	850	825	390	1	28.00	32.00
HM1K0DE4K-CS	697*649*263	850	825	390	1	28.00	32.00