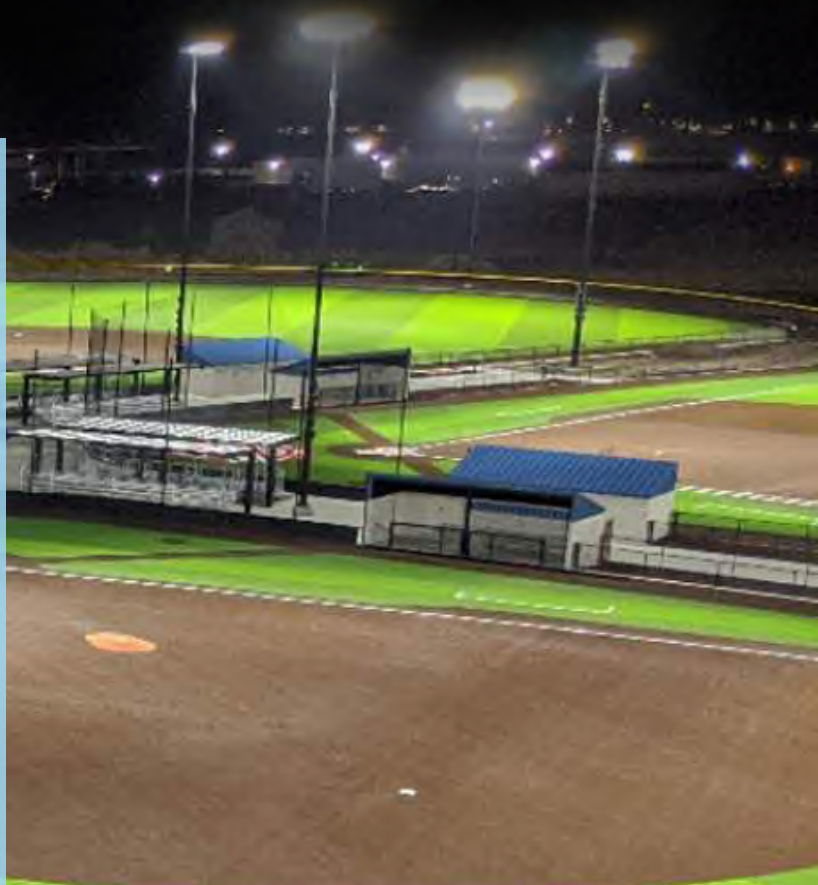


RECON

Series

Value for Money

Available in various power fitted with efficient LEDs from international brand Philips and powered by Sosen driver, our Recon series LED Flood Lights offer the users not only superior quality of lighting exteriors, but also a supreme reliability. With the optical lens and uniform photometric distribution, this LED lighting series achieves high optical efficiency. Thanks to a robust aluminium housing with safety glass cover, the floodlights are ideal for outdoor flood lighting applications, such as wall mounted around building facades, buildings as well as lighting gardens, paths near to buildings, garages, and entrance ways.



150
lm/w

- High performance with efficiency up to 150 lm/W
- L80/B10 @25C° 50,000H lifetime
- SDCM < 6
- PF > 0,9
- THD < 15%
- Nominal Voltage: 100-277V
- Insulation Class I

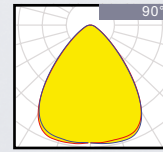
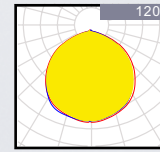


Driver
SOSEN

Chip
PHILIPS



• Beam angle: 120° & 90°



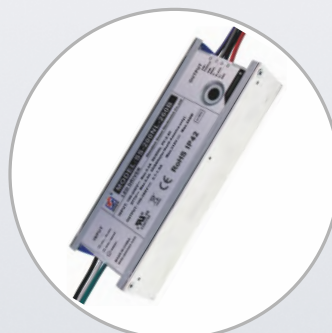
- Robust aluminum die-cast
- High protection rating IP66
- High impact resistance of IK08
- Suitable for operation in ambient temperature of -40°C to +50°C
- Static built-in driver



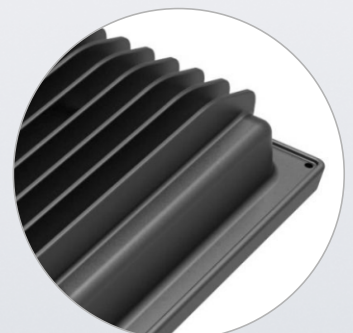
More Than Good



Philips LED



Sosen Driver

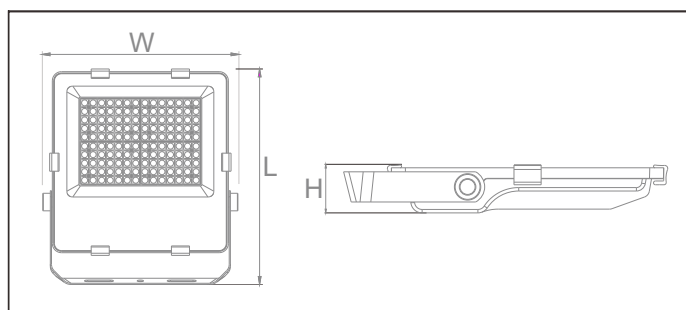


Die-Cast Heatsink



Features

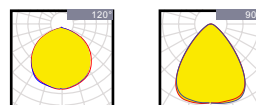
Housing: Die-cast Aluminum ADC12
 Thermal Conductivity: 96 W/m·K
 Led: Philips
 CRI: Ra>70 (80/90 for option)
 SDCM: <6
 Power Factor: >0.95
 THD: <15
 Driver: Sosen
 Driver Efficiency: >90%
 Protection: OTP, OCP, OVP, SCP
 Surge Protection: 4KV
 Waterproof: IP66
 Impact Test: IK08
 Electrical: 100-277V, 50/60Hz
 Operating Temperature: -40~50°C
 TM21: L80B10>50,000H
 Lifetime: 50,000H



Functions

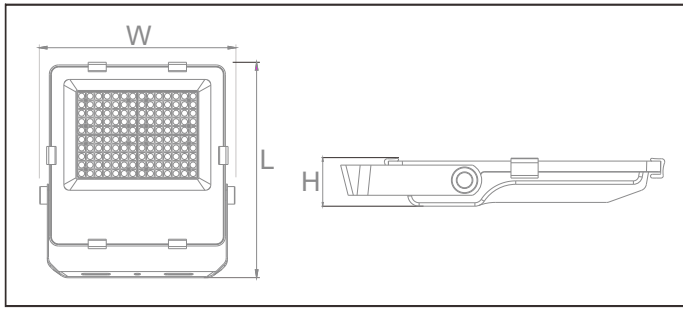
DALI · 0/1~10V · Micro-wave · PIR

Optical options:



Model	Watt	Voltage	Lumen	CRI	IP	Dimension
FL100RECH-PS	100W	100~277V	15000LM	>70 (80)	IP66	L354*W319*H53MM
FL150RECH-PS	150W	100~277V	22500LM	>70 (80)	IP66	L400*W359*H63MM
FL200RECH-PS	200W	100~277V	30000LM	>70 (80)	IP66	L430*W389*H63MM

Packing



Model	Outer Carton(mm)			QTY / CTN	NW/CTN	GW/CTN
FL100RECH-PS	425	365	138	1	2.90	3.80
FL150RECH-PS	470	405	148	1	3.80	4.90
FL200RECH-PS	500	435	148	1	4.50	5.80