



Galaxy

LED Linear Highbay Light

**Born For
Warehouse**



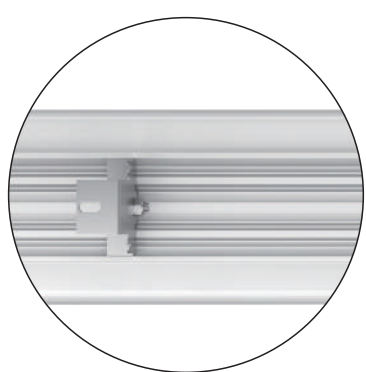
IK08



Philips led

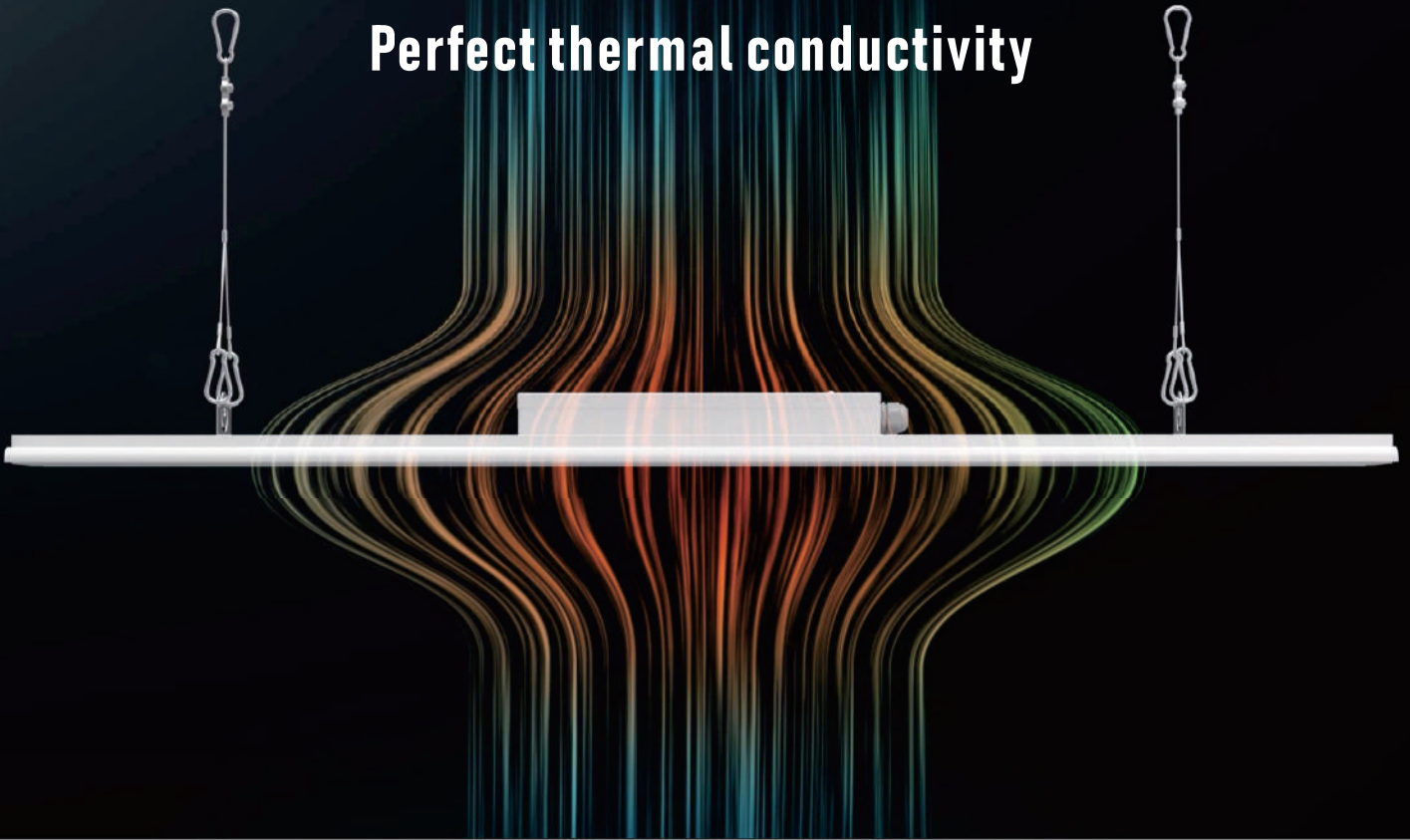


Sosen Driver

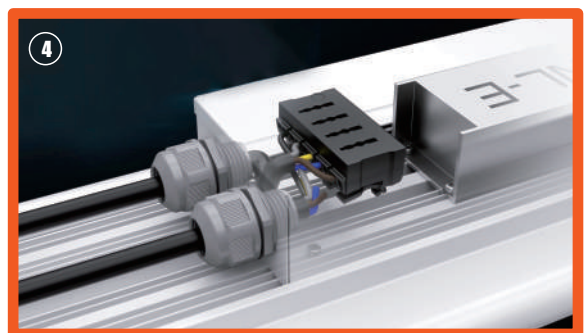
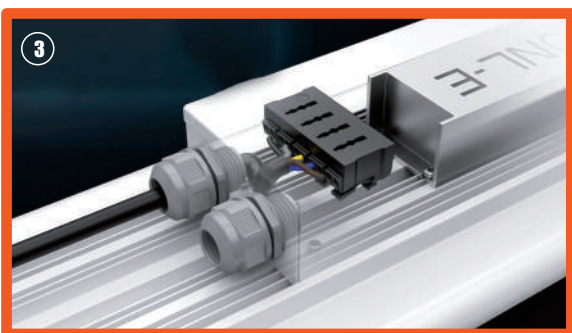
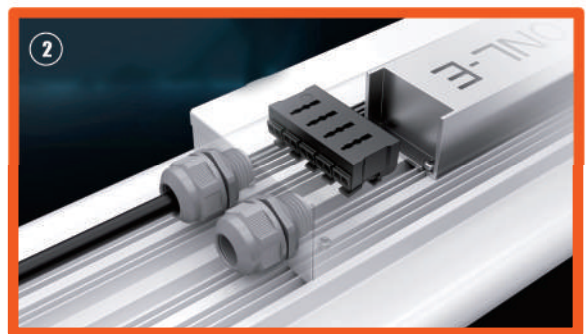
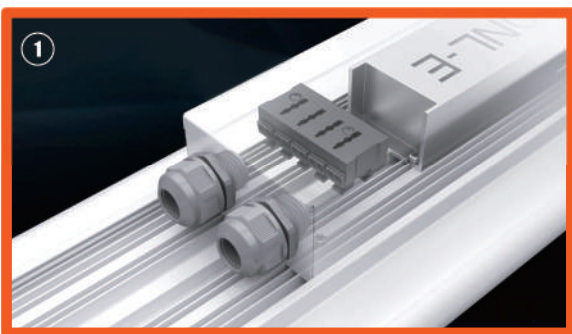


Pure Aluminum Housing

Perfect thermal conductivity

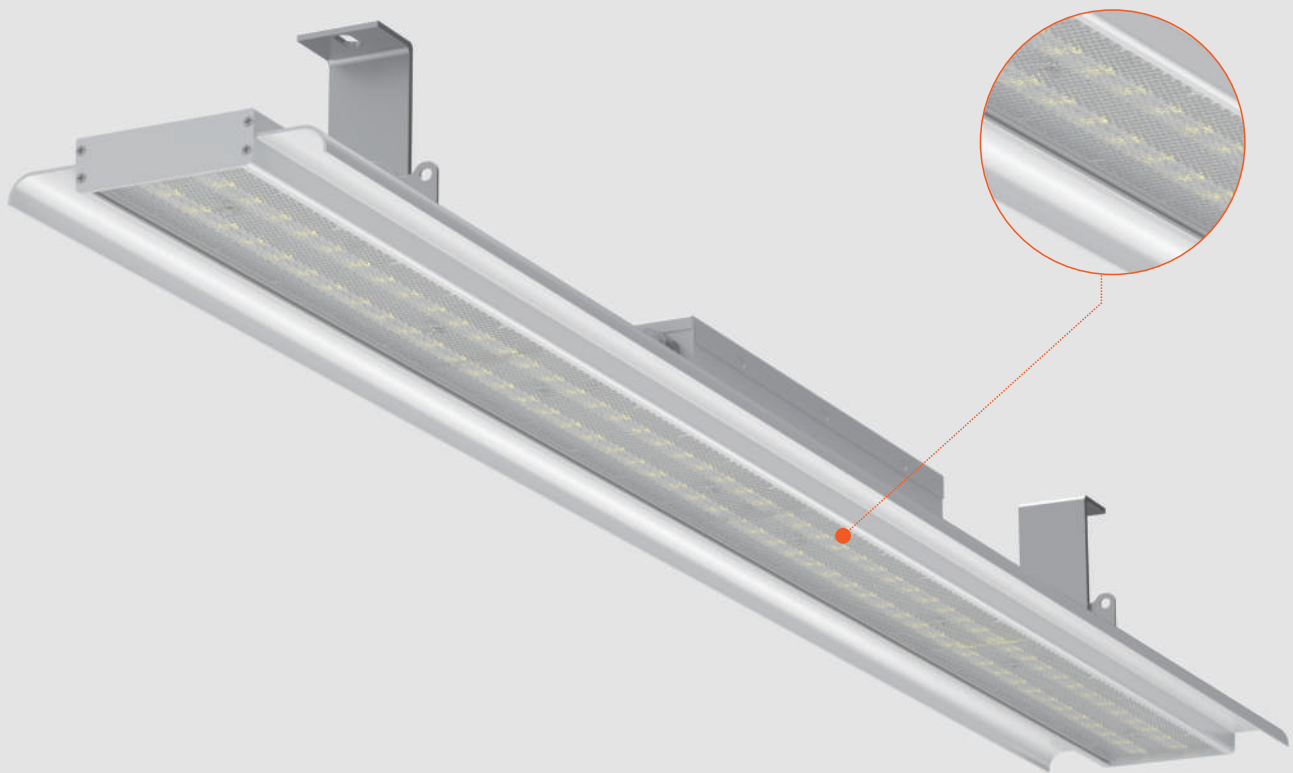


Open the junction box easily and connect to the terminal inside

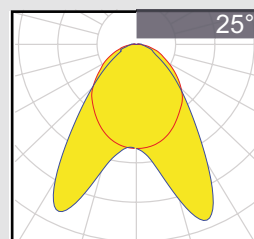
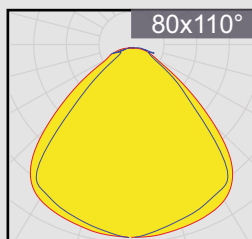
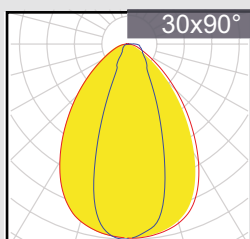


Lens version

160 LM/W



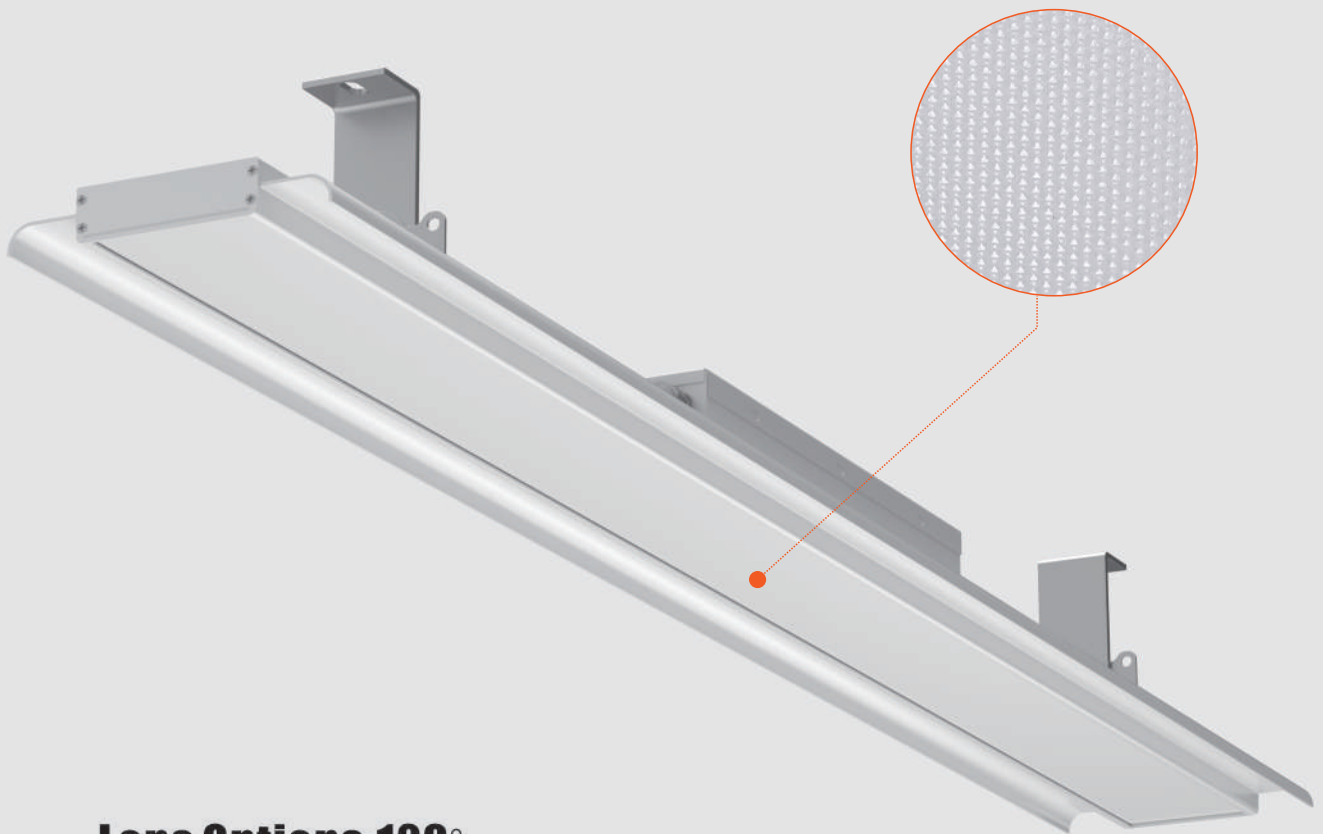
Lens Options: 30°x90° / 80°x110° / asymmetric 25°



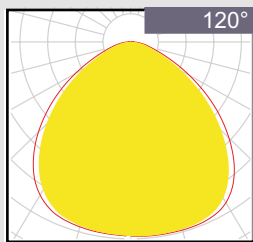
Special lens and PCB design are used, which makes perfect straight line light distribution

Kerafyrm diffuser version

160_{LM/W}



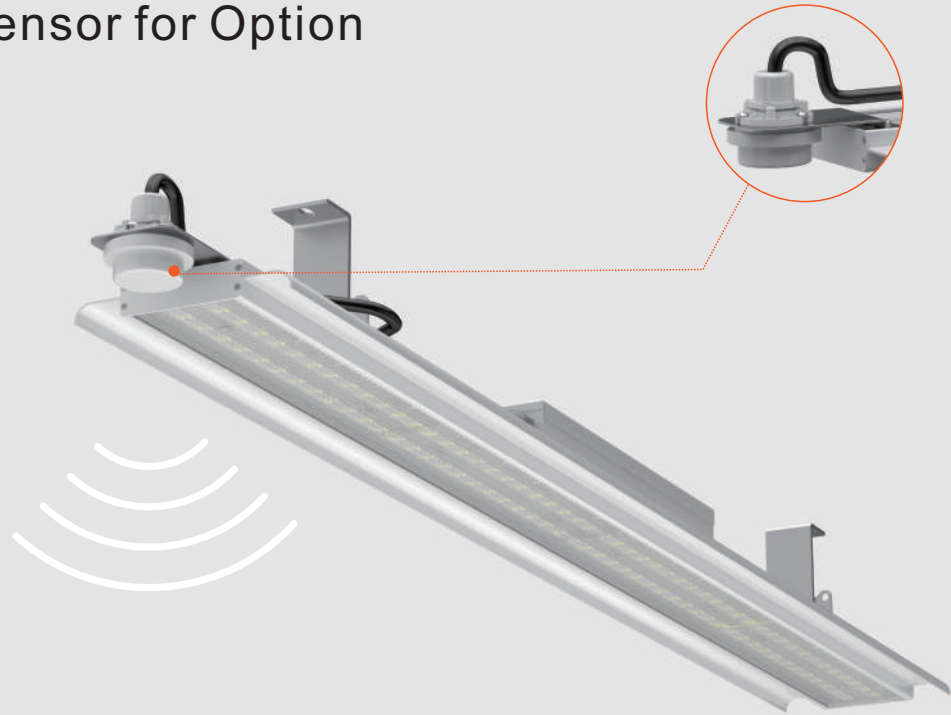
Lens Options:120°



With anti-glare kerafyrm diffuser plate, more soft and uniform light be offered

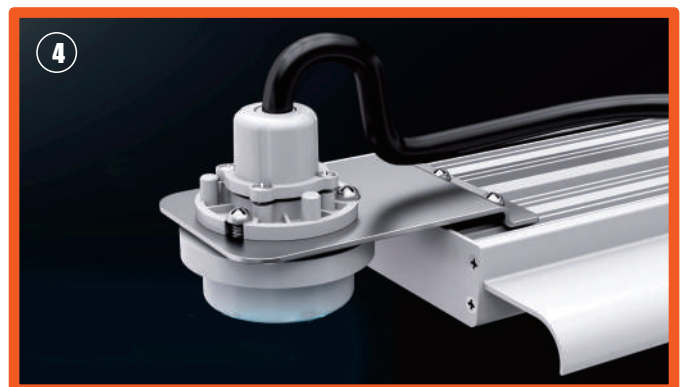
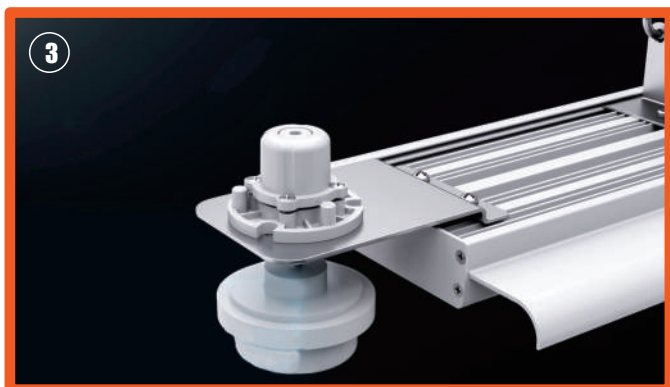
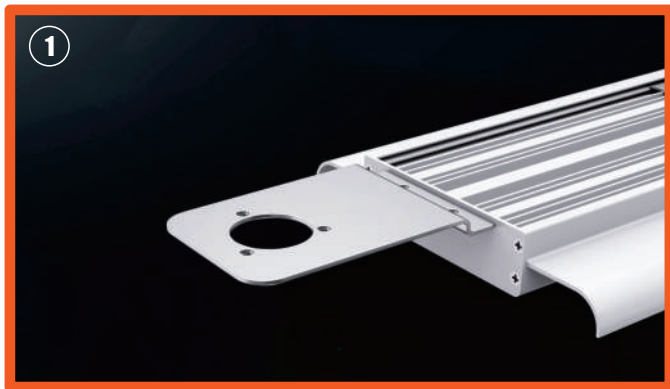
With sensor

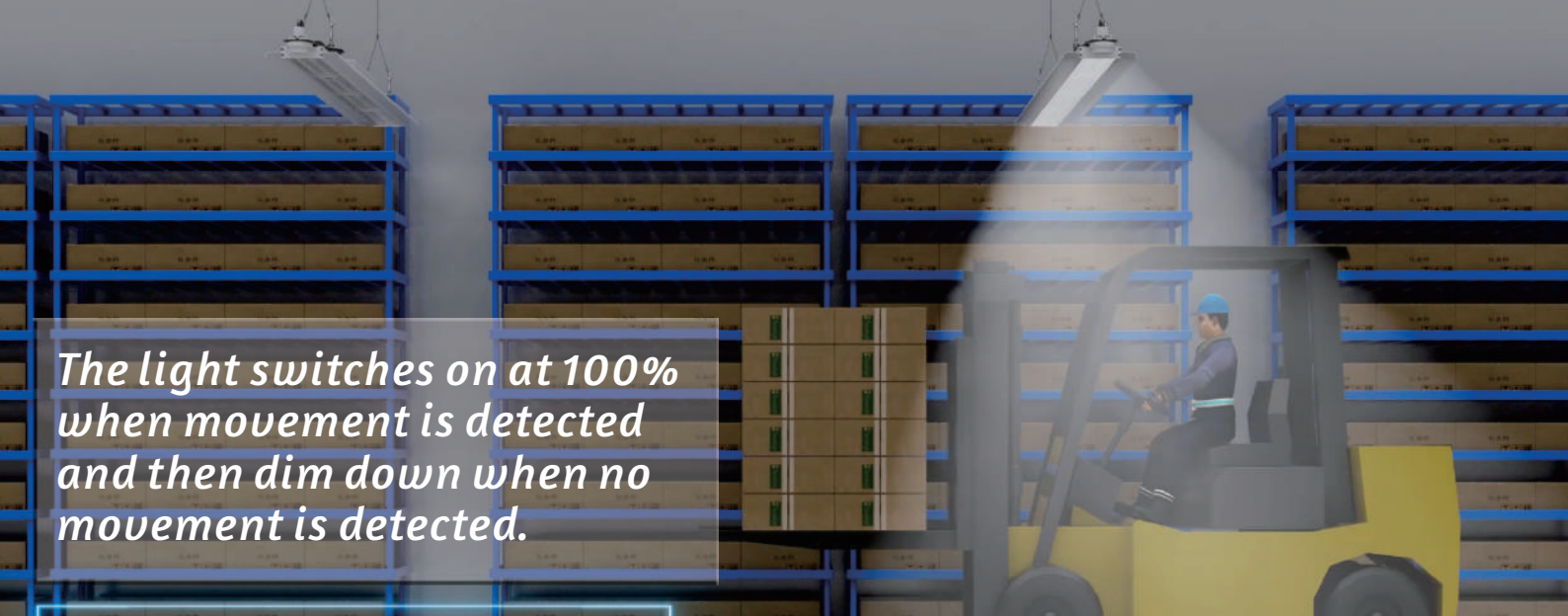
Quick Plug-in Sensor for Option



**Microwave
Sensor**

Quick and Easy Sensor Installation





The light switches on at 100% when movement is detected and then dim down when no movement is detected.

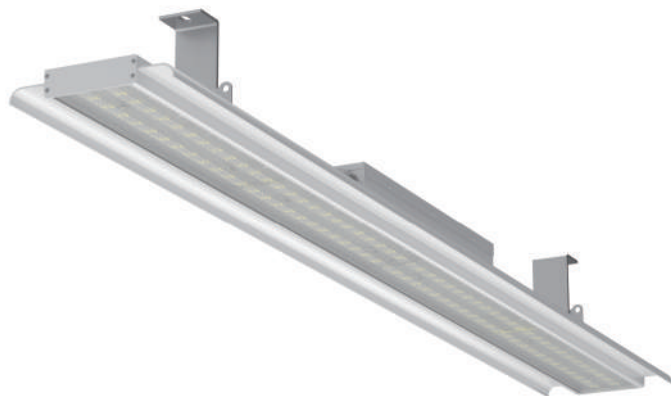


Suspension



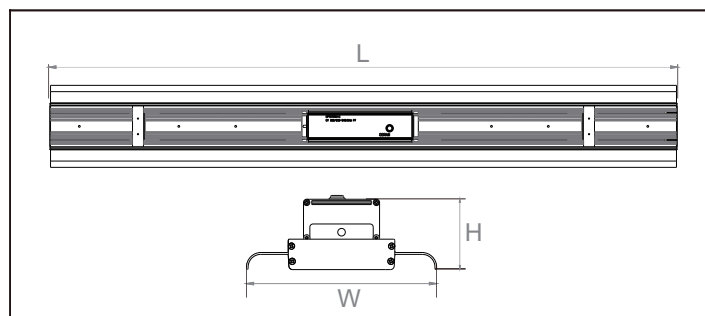
Surface mounting





Features

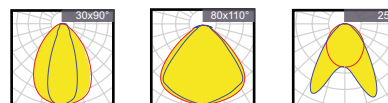
- Housing: Pure Aluminum A6063
- Thermal Conductivity: 226 W/m·K
- Led: Philips
- CRI: Ra>80 (80/90 for option)
- SDCM: <6
- Power Factor: >0.95
- THD: <15
- Driver: Sosen
- Driver Efficiency: >93%
- Protection: OTP, OCP, OVP, SCP
- Surge Protection: 6KV
- Waterproof: IP54
- Impact Test: IK08
- Electrical: 100-277V, 50/60Hz
- Operating Temperature: -40~60°C
- Tm21: L90B10>50,000H
- Lifetime: 50,000H



Functions

ZigBee · PWM · DALI · 0/1~10V · Micro-wave · PIR

Optical options:



160lm/w

5 YEARS WARRANTY

Sosen Driver

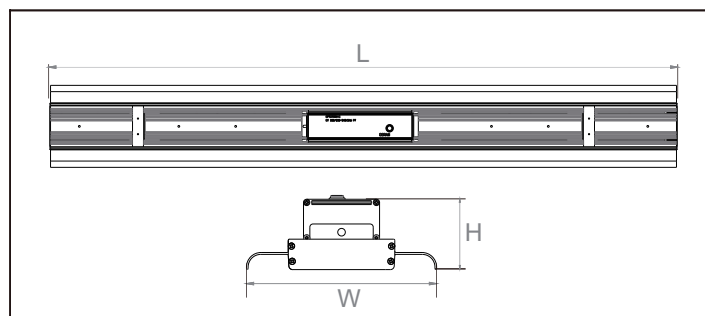
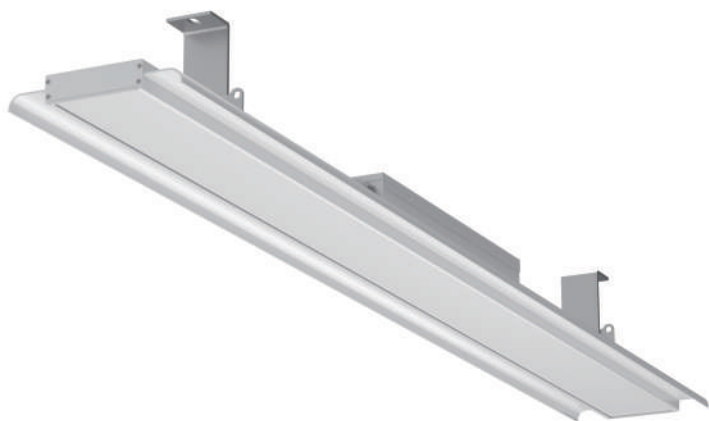
Philips LED

Model	Watt	Voltage	Lumen	CRI	IP	Dimension
HB100GE1J-PY	100W	100~277V	16000LM	>80	IP54	L576*W150*H59MM
HB150GE1J-PY	150W	100~277V	24000LM	>80	IP54	L862*W150*H59MM
HB200GE1J-PY	200W	100~277V	32000LM	>80	IP54	L1148*W150*H59MM
HB240GE1J-PY	240W	100~277V	38400LM	>80	IP54	L1434*W150*H59MM



Features

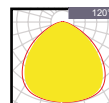
Housing: Pure Aluminum A6063
 Thermal Conductivity: 226 W/m·K
 Led: Philips
 CRI: Ra>80 (80/90 for option)
 SDCM: <6
 Power Factor: >0.95
 THD: <15
 Driver: Sosen
 Driver Efficiency: >93%
 Protection: OTP, OCP, OVP, SCP
 Surge Protection: 6KV
 Waterproof: IP54
 Impact Test: IK08
 Electrical: 100-277V, 50/60Hz
 Operating Temperature: -40~60°C
 Tm21: L90B10>50,000H
 Lifetime: 50,000H



Functions

ZigBee · PWM · DALI · 0/1~10V · Micro-wave · PIR

Optical options:



160lm/w

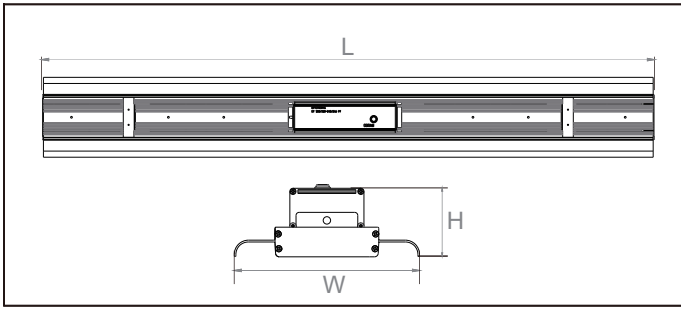
5 YEARS WARRANTY

Sosen Driver

Philips LED

Model	Watt	Voltage	Lumen	CRI	IP	Dimension
HB100GE1I-PY	100W	100~277V	16000LM	>80	IP54	L576*W150*H59MM
HB150GE1I-PY	150W	100~277V	24000LM	>80	IP54	L862*W150*H59MM
HB200GE1I-PY	200W	100~277V	32000LM	>80	IP54	L1148*W150*H59MM
HB240GE1I-PY	240W	100~277V	38400LM	>80	IP54	L1434*W150*H59MM

Packing



Model	Dimension(mm)			Outer Carton(mm)			QTY /	NW/CTN	GW/CTN
							Outer		
HB100GE1I-PY	576	150	59	655	430	285	4	7.60	13.00
HB150GE1I-PY	862	150	59	945	430	285	4	10.0	16.20
HB200GE1I-PY	1148	150	59	1235	430	285	4	12.4	18.60
HB240GE1I-PY	1434	150	59	1525	430	285	4	14.8	21.40