



Explosion Proof Light

We are committed to delivering high-quality industrial lighting fixtures designed, tested and certified for use in hazardous locations and adverse environment conditions.

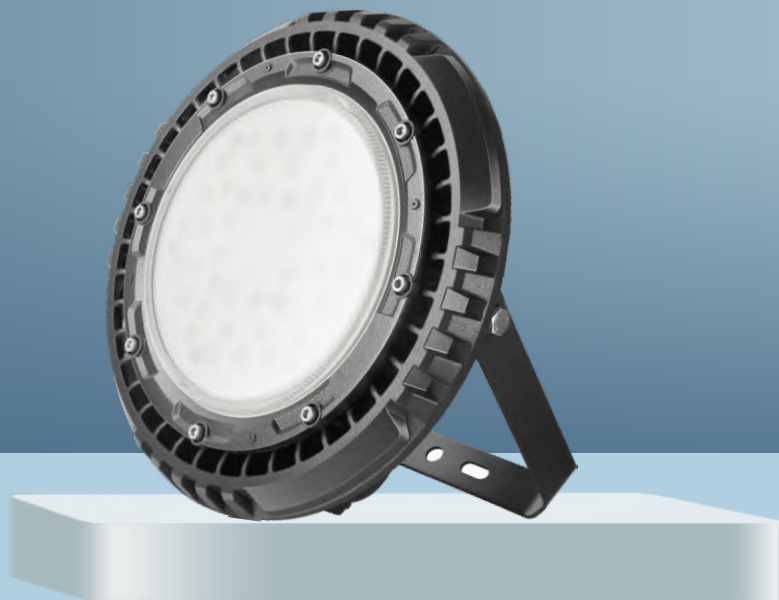
Our explosion proof light can be used even under the harshest indoor and outdoor conditions. If safety, labor reduction, quality and reliability are your priorities, this product will be your best option.

Explosion Proof

Gas & dust proof
Zone 1, 2 & zone 21, 22
High bright 150lm/w



IECEX



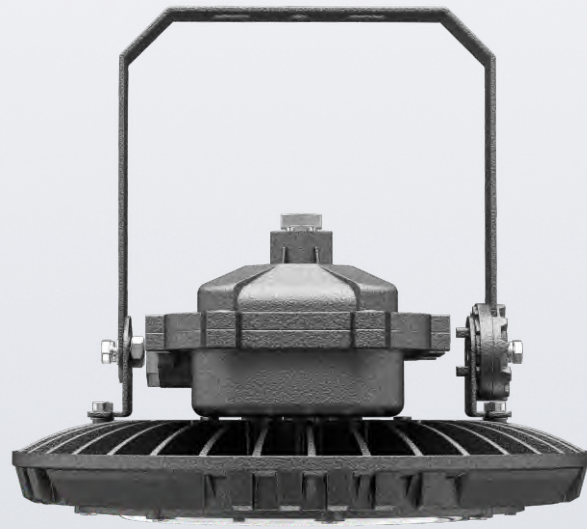
**II 2G Ex db mb IIB T4 Gb
II 2D Ex tb IIIC T(95°C) Db**



150LM/W

Driver: Meanwell
LED: Cree

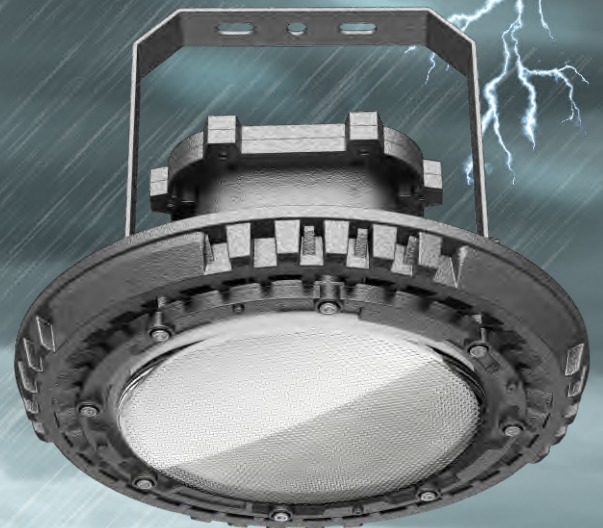
With Bracket



Precise Angle Rotation



IP66 Waterproof
6KV/10KV Surge Protection
AkzoNobel coating, best corrosion proof





Chemical industry
 Oil and natural gas extraction
 Petrol station
 Offshore
 Marine sector



Tank vehicle
 Shipyard
 Power plant
 Refinery
 Rescue service
 Aviation



Sugar refinery
 Grain and feed industry
 Fertiliser industry
 Flour milling
 Pharmaceutical industry
 Waste treatment plant
 Timber industry



Application

Zone 1 Zone 2
 Zone 21 Zone 22

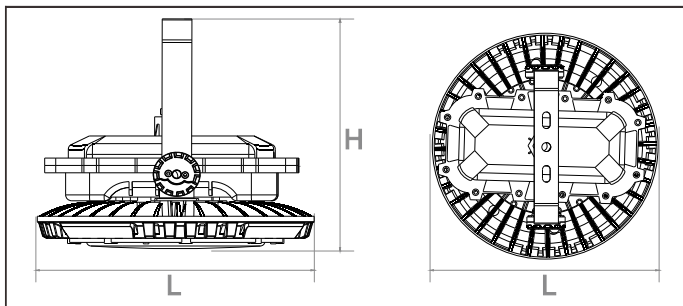
Applied to oil fields, oil refineries, offshore oil platform, power plants, gas stations, oil tanks, wharf, tunnel, pumping station, substation, the military base, etc. Zone I and Zone II Hazardous Locations, Zone 20, Zone 21, Zone 22 and II A, IIB, IIC explosive gas atmosphere.



Ex II 2G Ex db mb IIB T4 Gb
II 2D Ex tb IIIC T1 (95°C) Db

Features

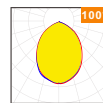
- Housing: Pure Aluminum
- Thermal Conductivity: 226 W/m·K
- Led: Cree 3030
- CRI: Ra>70
- SDCM: <6
- Power Factor: >0.95
- THD: <15
- Driver: Meanwell
- Driver Efficiency: >93%
- Protection: OTP, OCP, OVP, SCP
- Surge Protection: 6KV
- Waterproof: IP66
- Impact Test: IK08
- Electrical: 100-277V, 50/60Hz
- Operating Temperature: -40~60°C
- TM21: L90B10>50,000H
- Lifetime: 50,000H



Functions

ZigBee · DMX · DALI · 0/1~10V

Optical options:



150lm/w

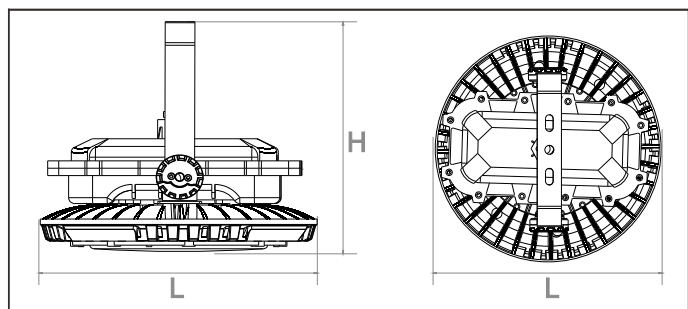
5 YEARS WARRANTY

Meanwell Driver

Cree LED

Model	Watt	Voltage	Lumen	CRI	IP	Dimension
EX060ME4F-CM	60W	100~277V	9600LM	>80	IP66	354*312mm
EX080ME4F-CM	80W	100~277V	12800LM	>80	IP66	354*312mm
EX100ME4F-CM	100W	100~277V	16000LM	>80	IP66	354*312mm
EX120ME4F-CM	120W	100~277V	18000LM	>80	IP66	354*312mm
EX150ME4F-CM	150W	100~277V	22500LM	>80	IP66	354*312mm
EX200ME4F-CM	200W	100~277V	28000LM	>80	IP66	354*312mm

Packing



Luminaire

Model	Dimension (mm)	Outer Carton(mm)			QTY / Outer CTN	Luminaire	
		L	W	H		NW(kg)	GW(kg)
EX060ME4F-CM	354*312	435	415	270	1	8.50	9.30
EX080ME4F-CM	354*312	435	415	270	1	8.50	9.30
EX100ME4F-CM	354*312	435	415	270	1	8.50	9.30
EX120ME4F-CM	354*312	435	415	270	1	8.50	9.30
EX150ME4F-CM	354*312	435	415	270	1	8.50	9.30
EX200ME4F-CM	354*312	435	415	270	1	8.50	9.30