

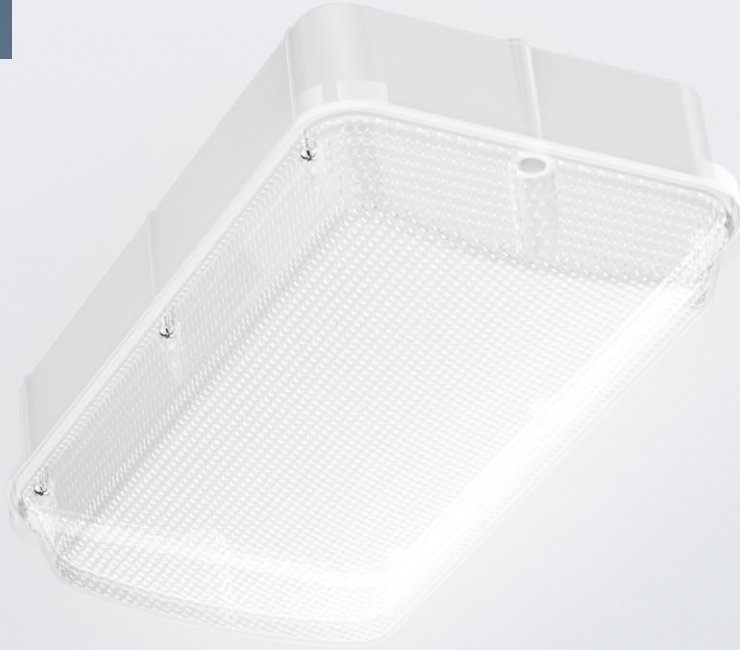


CELLAR

“ At the beginning of the 20th century, light had been verified that can present organoleptic risks to our wines. Even short light exposures have a cumulative effect on the appearance of the taste. Our Cellar light with a narrow spectrum and centered on 590 nm, is the most protective and ideal solution for this application. ”



590
nm

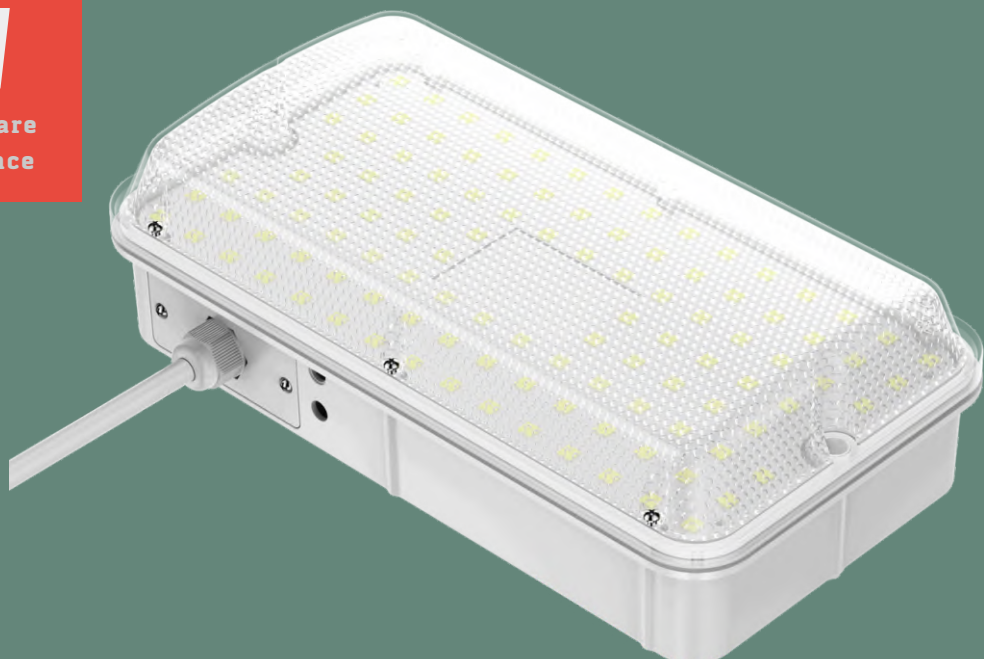


At the beginning of the 20th century, light had been verified that can present organoleptic risks to our wines. UV is not the only cause of deviations, certain wavelengths in the visible are harmful to our wines, especially in the lower spectrum (blue cyan). Even short light exposures have a cumulative effect on the appearance of the taste. Our Cellar light with a narrow spectrum and centered on 590 nm, is the most protective and ideal solution for this application.



60LM/W

Osram led and Osram driver are used to guarantee performance

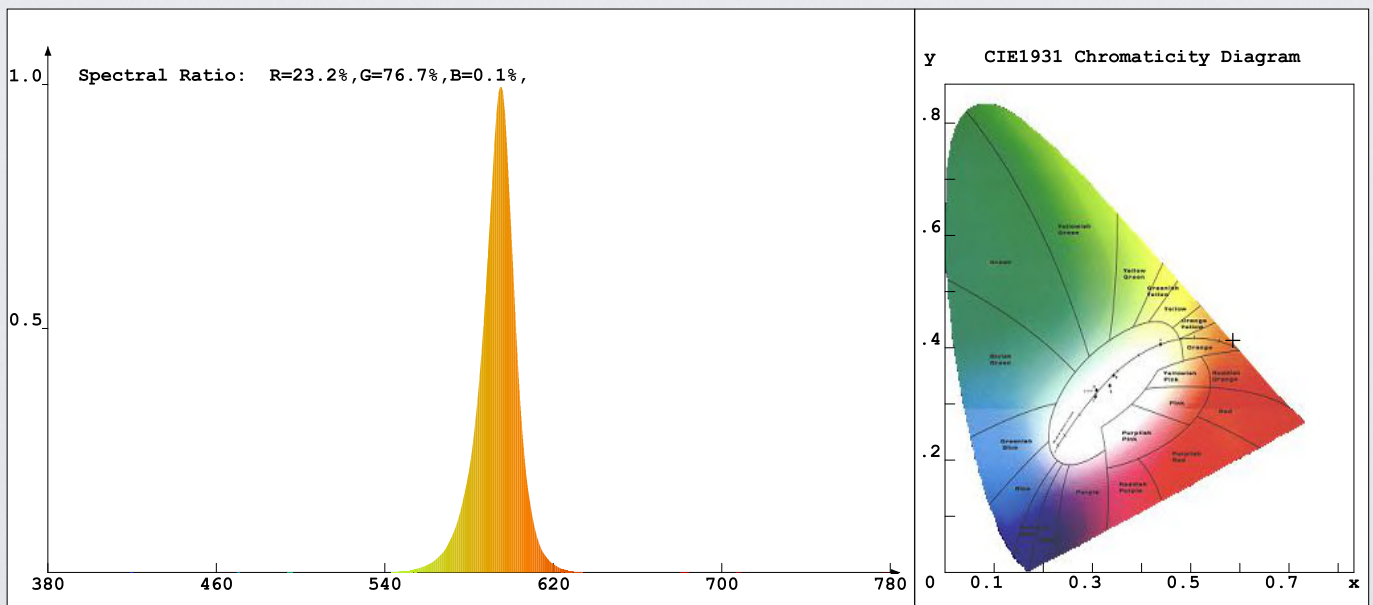


WINE

CELLAR



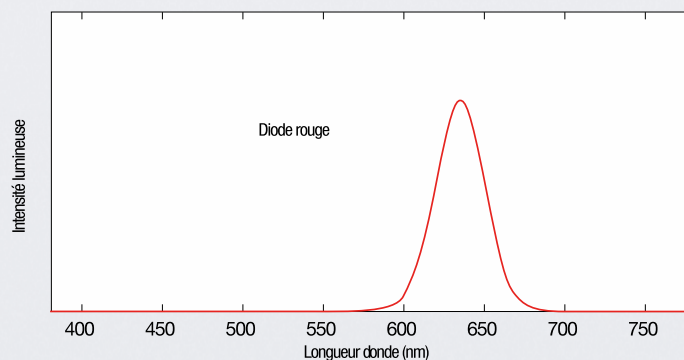
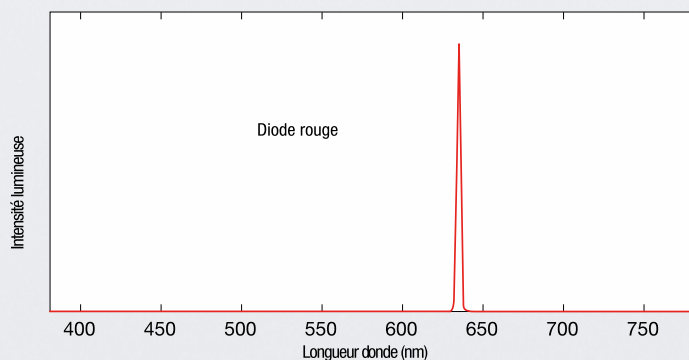
In the cellar storage areas, lighting should be as protective as possible. The emission spectrum to choose is therefore a narrow spectrum and centered on 590 nm. But this choice should not be made on the visual rendering of the lighting. Our Cellar light has perfect light emission spectrum, which protects the taste of wine.



WINE

CELLAR

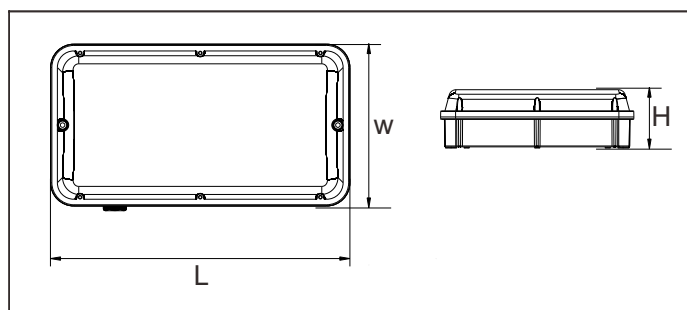
As proof, a test carried out with two lamps both with a spectrum whose maximum peak is located at 590 nm, but with different emission spectra as shown in Figure below. The left doesn't change the wine, while the right causes deviations.





Features

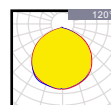
Housing: PC
 Cover: Prism
 Led: Osram
 Wave: 590nm
 Power Factor: >0.90
 THD: <15
 Driver: Osram
 Driver Efficiency: >90%
 Protection: OTP, OCP, OVP, SCP
 Surge Protection: 2KV
 Waterproof: IP65
 Impact Test: IK08
 Electrical: 220-240V, 50/60Hz
 Operating Temperature: -20~45C°
 TM21: L80B10>50,000H
 Lifetime: 50,000H



Functions

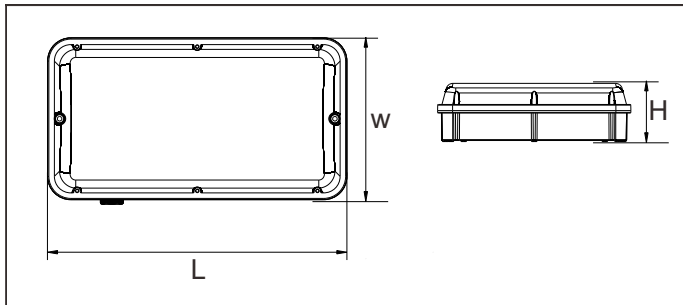
ZigBee • PWM • DALI • 0/1~10V • Micro-wave

Optical options:



Model	Watt	Voltage	Lumen	Wave Length	IP	Dimension
CL010ME1A-00	10W	220~240	600LM	590nm	IP65	L274*W148*H82.5MM
CL016ME1A-00	16W	220~240	960LM	590nm	IP65	L274*W148*H82.5MM

Packing



Model	Dimension (mm)	Inner Carton(mm)			QTY / Inner CTN	Outer Carton(mm)			QTY / Outer CTN	NW/ CTN	GW/ CTN
CL010ME1A-OO	L274*W148*H82.5	300	170	95	1	360	320	405	8	7.20	7.50
CL016ME1A-OO	L274*W148*H82.5	300	170	95	1	360	320	405	8	7.20	7.50