



# LED TRIPROOF LIGHT

---

## QUATTRO SERIES

With 120mm width big size aluminum housing, Quattro series trip-proof light gets high power max 150w and perfect thermal conductivity. Quick plug-in waterproof wire connector design helps customer save 30% installation labor cost. 3x1.5mm<sup>2</sup>, 3x2.5mm<sup>2</sup>, 5x1.5mm<sup>2</sup> and 5x2.5mm<sup>2</sup> wire through are all for option to be linkable in series.

# BIG HOUSING



**Big size pure aluminum housing**

226w/m.k perfect thermal conductivity

**Ours**

120mm width



75mm



**Others**

only 50~ 80mm width

High Power Max **150W**  
Efficiency **160lm/w**

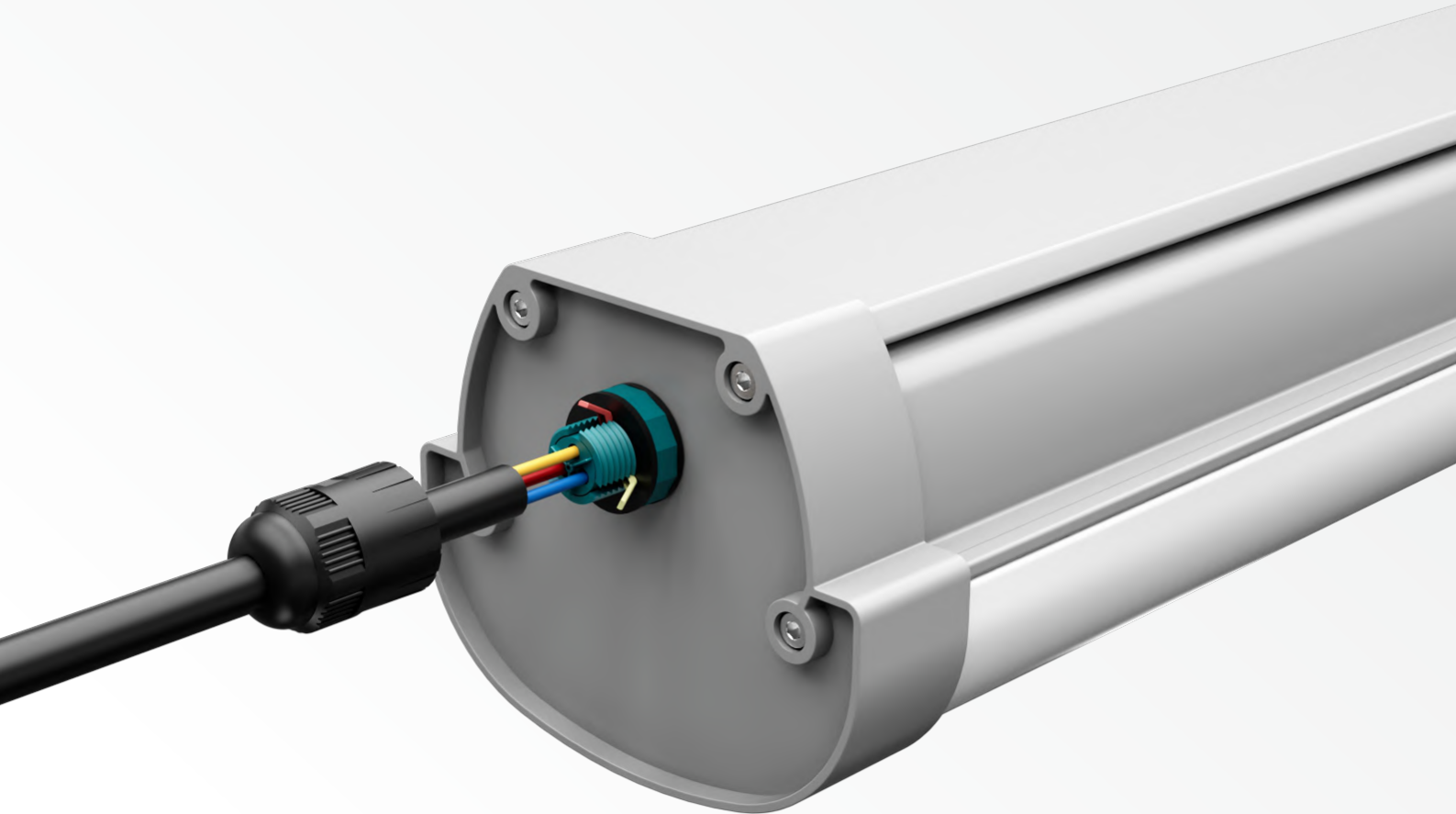
1500\*122\*102mm  
80W, 120W, 150W

1200\*122\*102mm  
40W, 60W, 80W

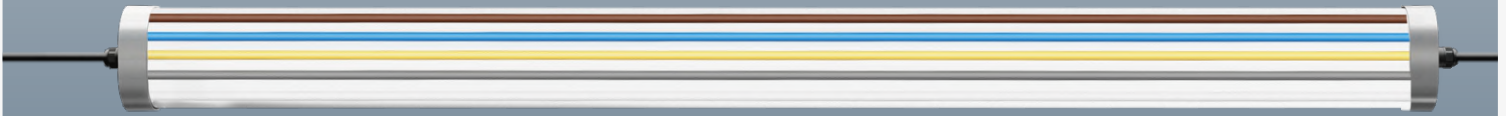
600\*122\*102mm  
30W

# ***SCREW FREE***

**Quick plug-in waterproof cable connector design,  
helps to save 30% installation labor cost.**

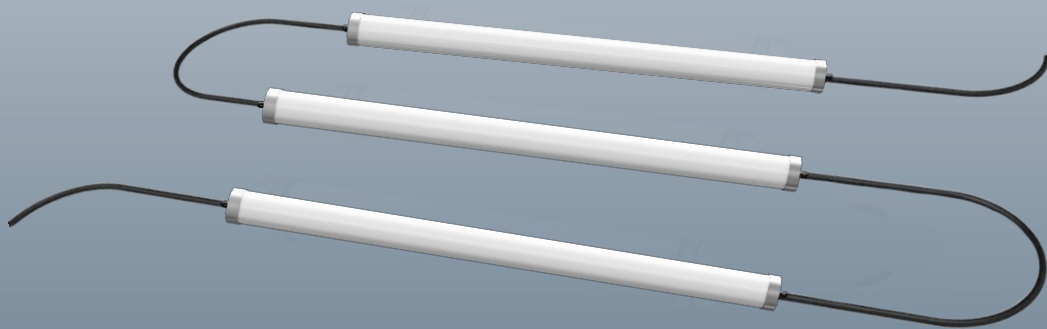


# WIRE CONNECTION



## *Wire Through*

Be able to link in series with 3x1.5mm<sup>2</sup> / 3x2.5mm<sup>2</sup> / 5x1.5mm<sup>2</sup> / 5x2.5mm<sup>2</sup> wire through



## *Linkable in series*

Loading capacity per series is up to 14400W



# ★ INSTALLATION

*Bracket mounting  
180° any direction*



*Suspension*



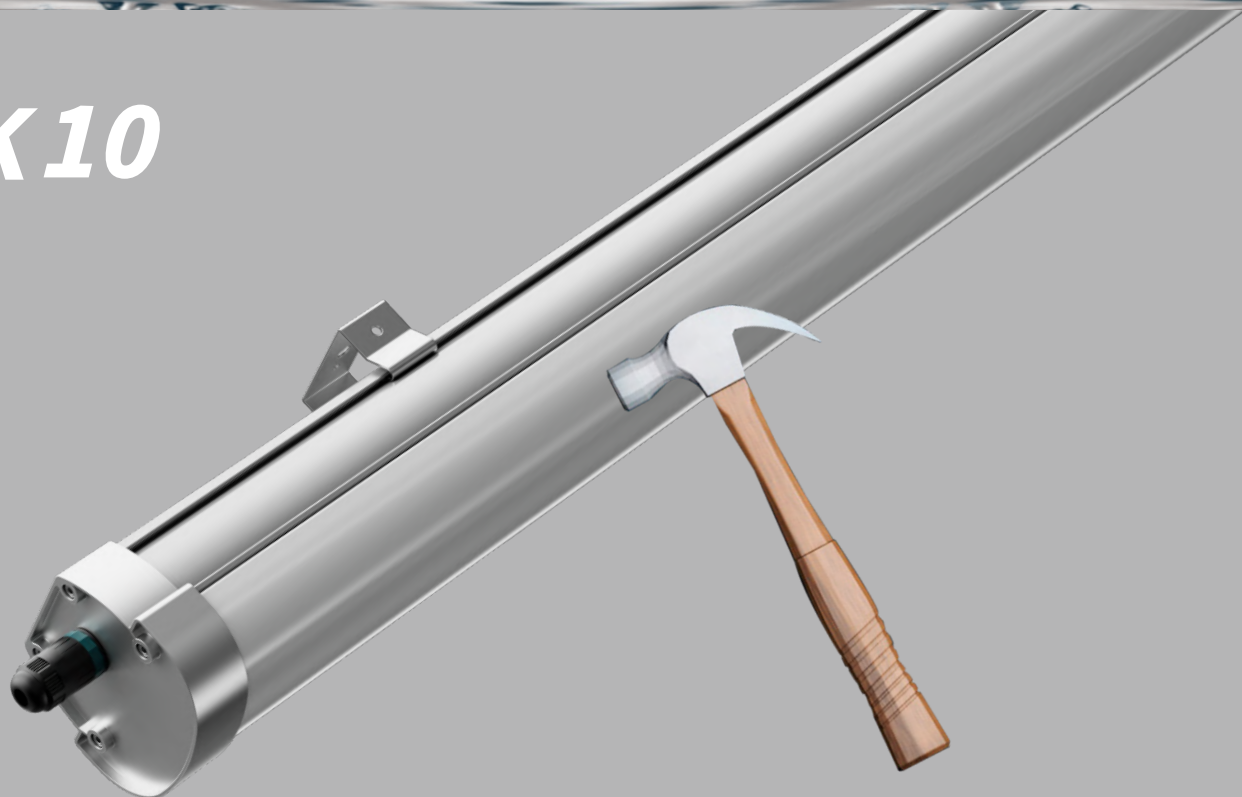
*Surface mounting*

**HIGH PROTECTION LEVEL**

***IP66 Waterproof***



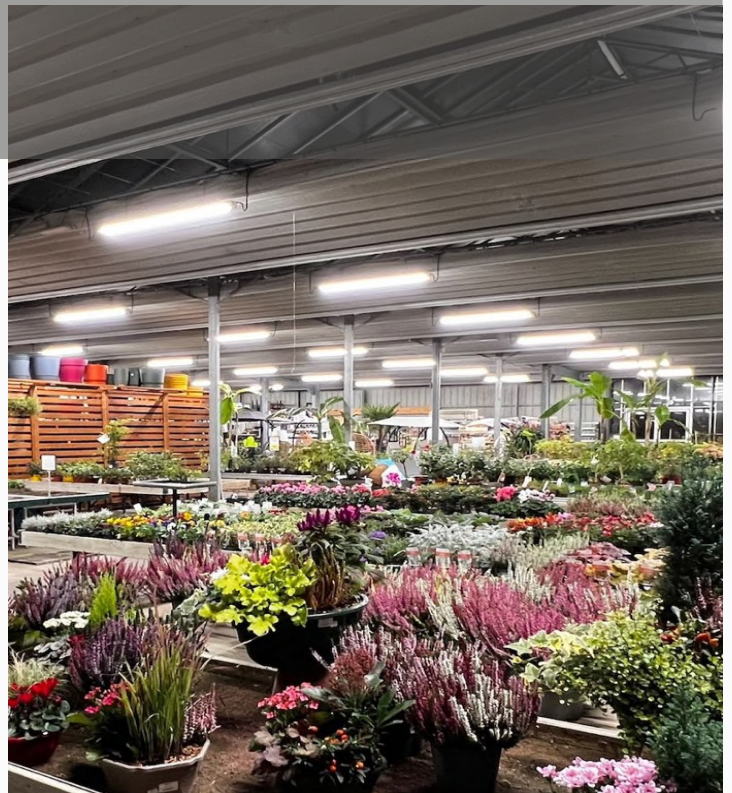
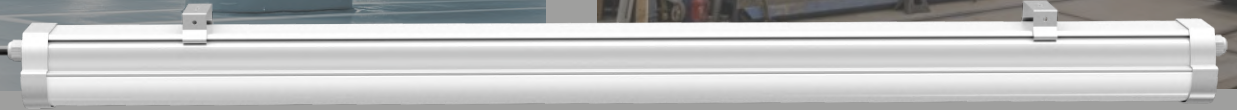
***IK10***





# APPLICATION

Widely use in garage, supermarket, workshop, exhibition hall, etc.







## Features

Housing: Aluminum

Thermal Conductivity: 226 W/m · K

Led: Bridgelux

CRI: Ra>80 ( 90 for option)

SDCM: <6

Power Factor: >0.95

THD: <15

Driver: Osram / Sosen

Driver Efficiency: >93%

Protection: OTP, OCP, OVP, SCP

Surge Protection: 4KV

Waterproof: IP66

Impact Test: IK10

Electrical: 220-240V, 50/60Hz

Operating Temperature: -20~40 °C

TM21: L80B10>50,000H

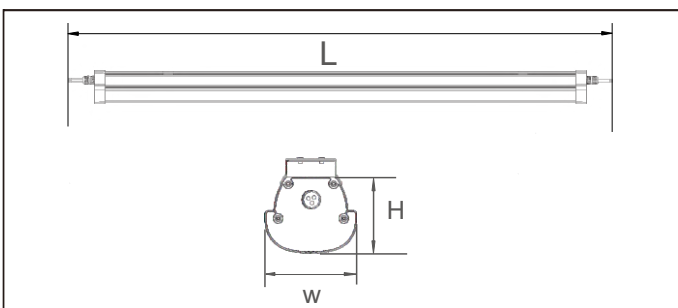
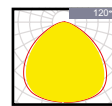
Lifetime: 50,000H



## Functions

ZigBee · PWM · 0/1~10V · Micro-wave

## Optical options:



160 lm/w

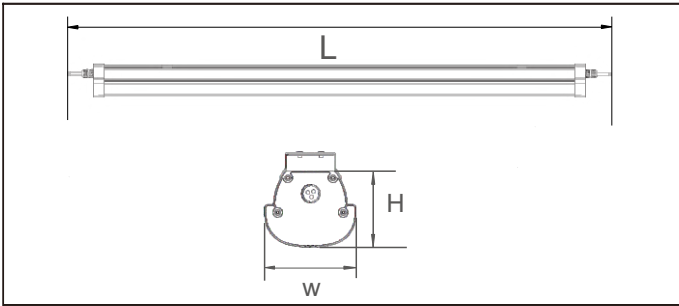
5 YEARS WARRANTY

Osram/Sosen Driver

Bridgelux LED

Model	Watt	Voltage	Lumen	CRI	IP	Dimension
TP030QE2H-BO	30W	220~240V	4800LM	>80	IP66	600*122*102mm
TP040QE4H-BO	40W	220~240V	6400LM	>80	IP66	1200*122*102mm
TP060QE4H-BO	60W	220~240V	9600LM	>80	IP66	1200*122*102mm
TP080QE4H-BO	80W	220~240V	12800LM	>80	IP66	1200*122*102mm
TP080QE5H-BO	80W	220~240V	12800LM	>80	IP66	1500*122*102mm
TP120QE4H-BS	120W	100~277V	19200LM	>80	IP66	1200*122*102mm
TP120QE5H-BS	120W	100~277V	19200LM	>80	IP66	1500*122*102mm
TP150QE5H-BS	150W	100~277V	24000LM	>80	IP66	1500*122*102mm

# Packing



Model	L*W*H (mm)	Inner Carton(mm)			QTY / INNER CTN	Outer Carton(mm)			QTY / Outer CTN	NW/CTN	GW/CTN
TP030QE2H-BO	600*122*102	780	120	100	1	790	250	320	6	10.80	13.00
TP040QE4H-BO	1200*122*102	1380	120	100	1	1390	250	320	6	17.88	20.50
TP060QE4H-BO	1200*122*102	1380	120	100	1	1390	250	320	6	17.88	20.50
TP080QE4H-BO	1200*122*102	1380	120	100	1	1390	250	320	6	17.88	20.50
TP080QE5H-BO	1500*122*102	1680	120	100	1	1690	250	220	4	16.40	17.00
TP120QE4H-BS	1200*122*102	1380	120	100	1	1390	250	320	6	17.88	20.50
TP120QE5H-BS	1500*122*102	1680	120	100	1	1690	250	220	4	16.40	17.00
TP150QE5H-BS	1500*122*102	1680	120	100	1	1690	250	220	4	16.40	17.00