



Explosion Proof Light

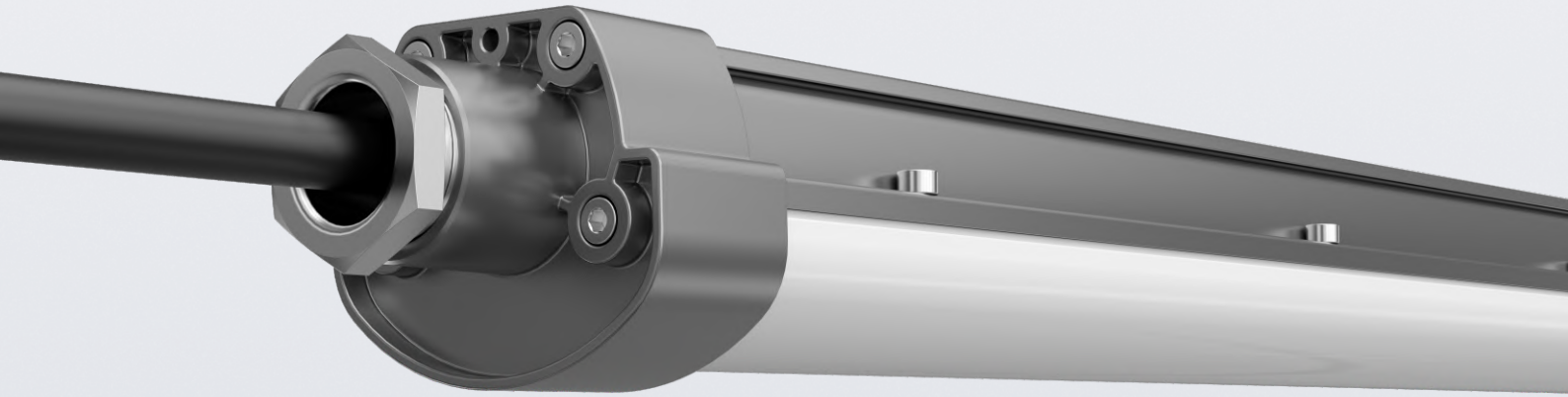
Elegance series linear explosion proof light is built to perform effectively and economically in areas that may be difficult to service, expensive to shut down or any location requiring an increased degree of safety. Compared with conventional lighting, it consumes up to 85% less energy and typically lasts as long as 50,000 hours or more.



II 2G Ex eb mb IIC T4 Gb
II 2D Ex tb IIIC T(95°C) Db

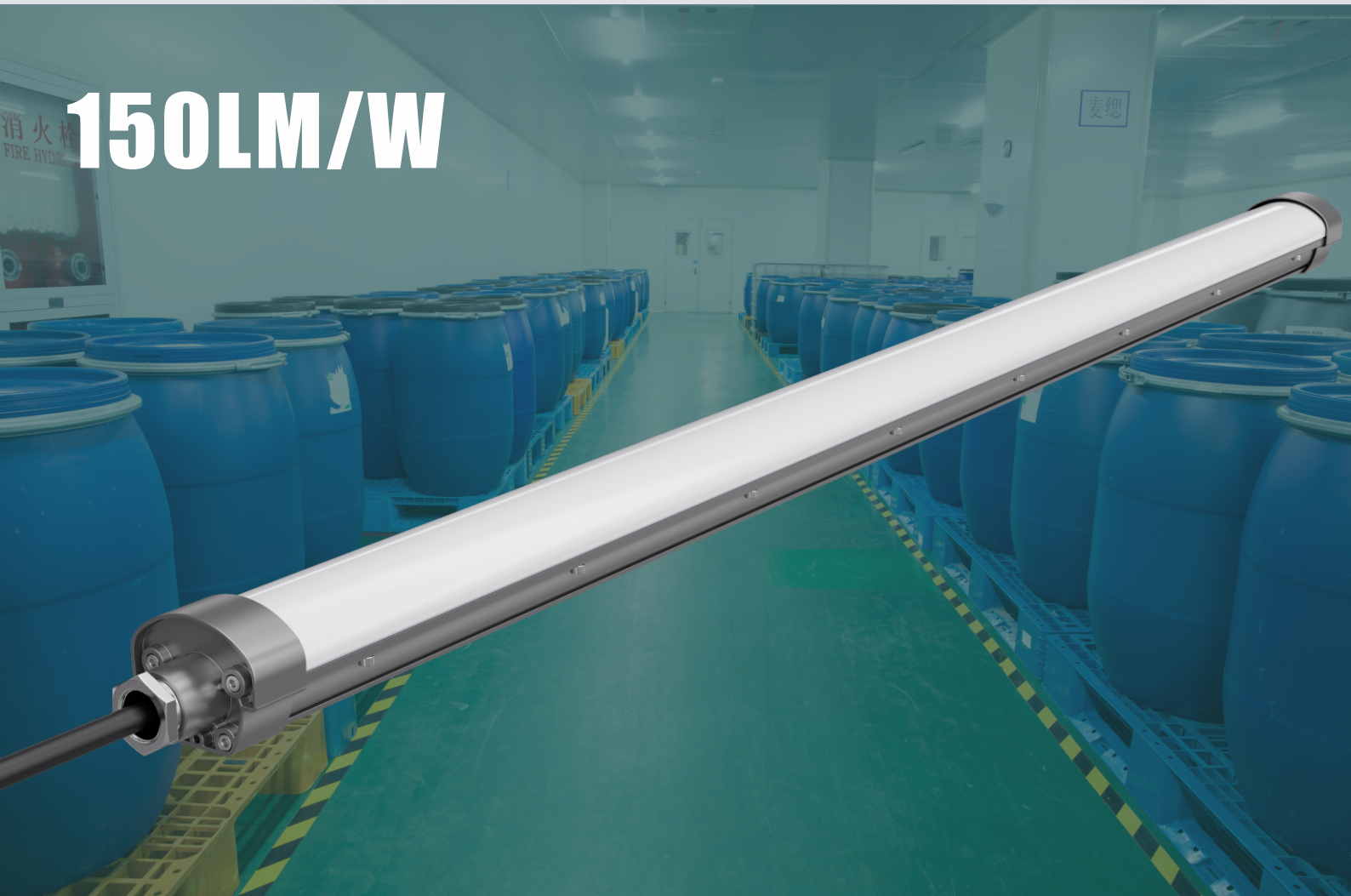


II 2G Ex eb mb IIC T4 Gb
II 2D Ex tb IIIC T(95°C) Db



Engineered with marine grade components and corrosion proof coating, Our linear explosion proof light provides superior illumination and protection in any circumstance. It is suited for installation in zones 1, 21 and 2, 22 of gas, dust and fibers explosion hazard areas.

150LM/W



 **IK10**

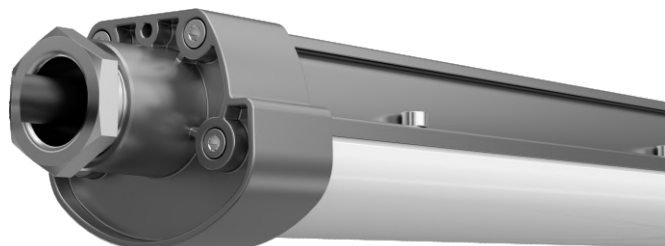
 **IP66**



Application

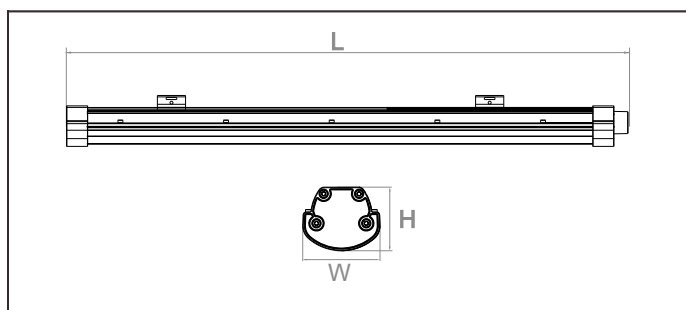
Zone 1 Zone 2
Zone 21 Zone 22

Applied to oil fields, oil refineries, offshore oil platform, power plants, gas stations, oil tanks, wharf, tunnel, pumping station, substation, the military base, etc. Zone I and Zone II Hazardous Locations, Zone 20, Zone 21, Zone 22 and II A, IIB, IIC explosive gas atmosphere.



Features

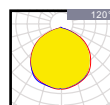
Housing: Pure Aluminum A6063
 Thermal Conductivity: 226 W/m·K
 Led: Bridgelux
 CRI: Ra>80
 SDCM: <6
 Power Factor: >0.95
 THD: <15
 Driver: Explosion Proof Driver
 Driver Efficiency: >92%
 Protection: OTP, OCP, OVP, SCP
 Surge Protection: 4KV
 Waterproof: IP66
 Impact Test: IK10
 Corrosion Proof: WF2
 Electrical: 100-277V, 50/60Hz
 Operating Temperature: -25~45°C
 TM21: L90B10>50,000H
 Lifetime: 50,000H



Functions

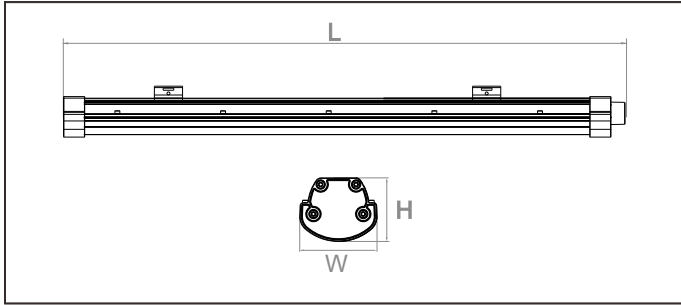
PWM · DALI · 0/1~10V

Optical options:



Model	Watt	Voltage	Lumen	CRI	IP	Dimension
TB020EE2H-BG	20W	100~277	3000LM	>80	IP66	600*70*58mm
TB040EE2H-BG	40W	100~277	6000LM	>80	IP66	600*70*58mm
TB040EE4H-BG	40W	100~277	6000LM	>80	IP66	1200*70*58mm
TB060EE4H-BG	60W	100~277	9000LM	>80	IP66	1200*70*58mm
TB080EE5H-BG	80W	220~240	12000LM	>80	IP66	1500*70*58mm

Packing



Luminaire

Model	Outer Carton(mm)			QTY / Outer CTN	Luminaire	
	L	W	H		NW(kg)	GW(kg)
TB020EE2H-BG	670	90	75	1	1.50	1.70
TB040EE2H-BG	670	90	75	1	1.50	1.70
TB040EE4H-BG	1485	90	75	1	2.80	3.30
TB060EE4H-BG	1485	90	75	1	2.80	3.30
TB080EE5H-BG	1784	90	75	1	3.50	4.10