

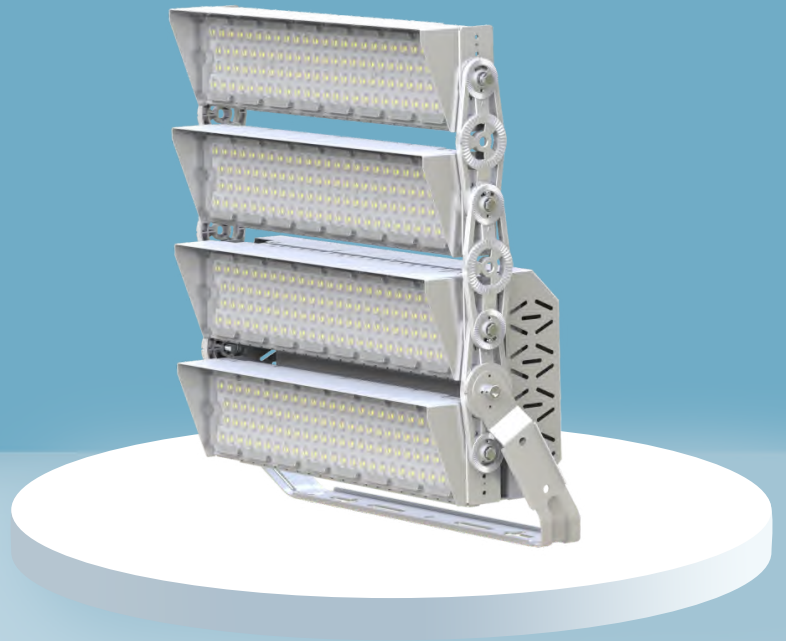


## **Light for Stadium, Light in Weight**

In order to replace traditional lighting fixtures for stadium, but retain the old mast, the weight of the led light must be closer to the traditional fixture, and less wind resistance. Our highlander series high mast light is designed right in this purpose. With finned pure aluminum radiator, the weight is 60% less, but heat dissipation surface increases 40%.

**Light Weight**

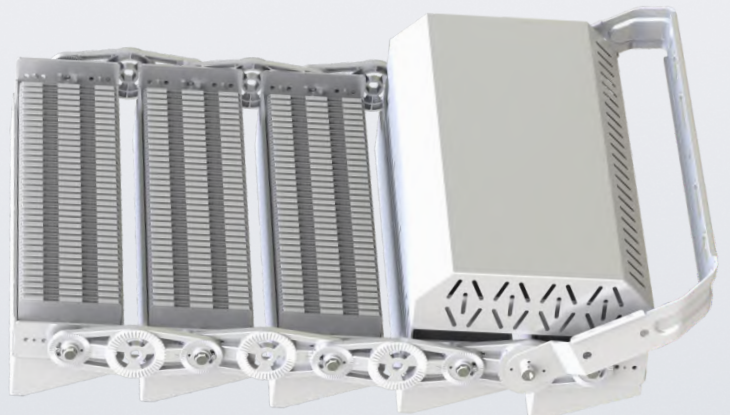
Less in Weight  
Low back light, low spill light  
Asymmetric optics  
150lm/w



**Light Weight**

500W only 9.8KG  
1000W only 18.6KG  
1500W only 24.0KG

Pure Aluminum  
Better Heat dissipation



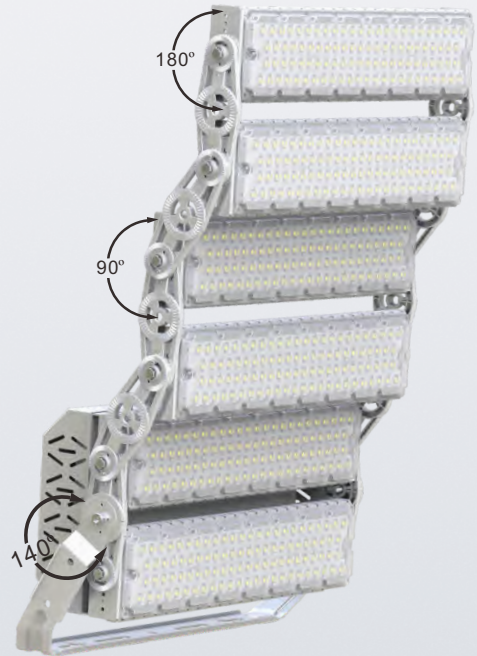


**150**  
LM/W



### Precise Angle Rotation

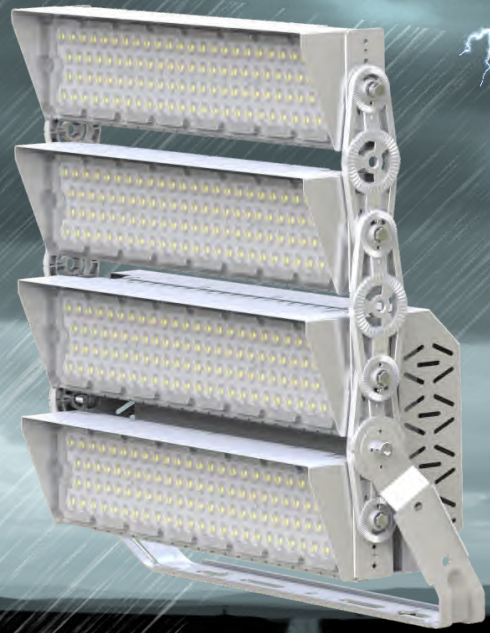
*Each module is fixed on a rotatable bracket which makes it a 180° rotating range. The whole fixture can be adjusted 90°, and the fixing bracket can be adjusted 140°.*



### Visor

*Light visors are used to reduce light pollution and light spilling*

**IP66 Waterproof**  
**6kv/20kv Surge Protection**

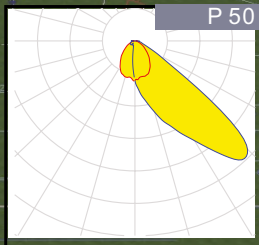
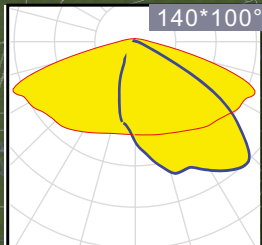
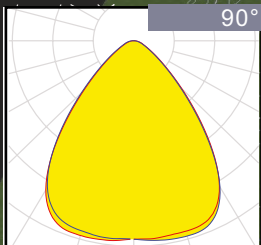
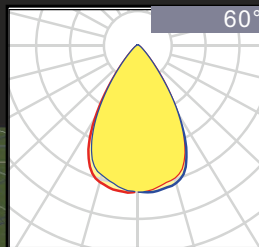
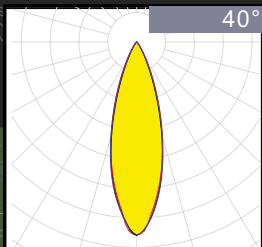
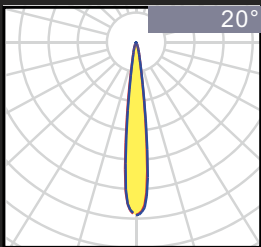


## HD TV broadcasting

*CRI>90*

*TLCI>90*

*Flicker free*

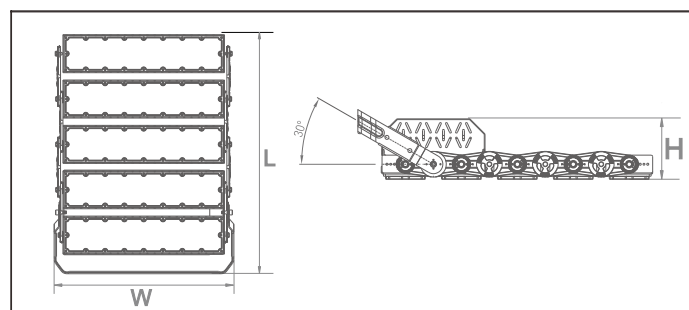


**Various  
Lens**



## Features

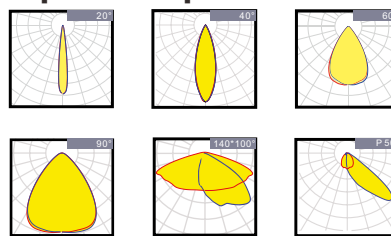
Housing: Pure Aluminum A6063  
 Thermal Conductivity: 226 W/m·K  
 Led: CREE 5050  
 CRI: Ra>70 ( 80/90 for option)  
 SDCM: <6  
 Power Factor: >0.95  
 THD: <15  
 Driver: Meanwell  
 Driver Efficiency: >93%  
 Protection: OTP, OCP, OVP, SCP  
 Surge Protection: 6KV  
 Waterproof: IP65  
 Impact Test: IK08  
 Electrical: 100-277V, 50/60Hz  
 Operating Temperature: -40~50°C  
 TM21: L90B10>50,000H  
 Lifetime: 50,000H



## Functions

ZigBee · PWM · DALI · 0/1~10V · DMX

## Optical options:



150lm/w

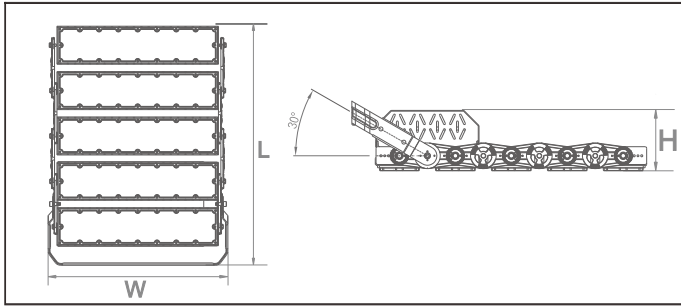
5 YEARS WARRANTY

Meanwell Driver

CREE LED

Model	Module	Watt	Voltage	Lumen	CRI	IP	Dimension
HM250HE2H-CM	125W Module x2	250W	220~240V	37500LM	>70 (80)	IP65	L332*W350*H160
HM500HE4H-CM	125W Module x4	500W	220~240V	75000LM	>70 (80)	IP65	L628*W350*H160
HM750HE3H-CM	250W Module x3	750W	220~240V	112500LM	>70 (80)	IP65	L484*W587*H195
HM1K0HE4H-CM	250W Module x4	1000W	220~240V	150000LM	>70 (80)	IP65	L632*W587*H195
HM1K2HE5H-CM	250W Module x5	1200W	220~240V	187000LM	>70 (80)	IP65	L780*W587*H195
HM1K5HE6H-CM	250W Module x6	1500W	220~240V	225000LM	>70 (80)	IP65	L928*W587*H195

# Packing



## Luminaire

Model	L*W*H (mm)	Outer Carton(mm)			QTY/CT N	NW/CTN	GW/CTN
HM250HE2H-CM	332*350*160	364	358	230	1	7.10	7.90
HM500HE4H-CM	628*350*160	638	364	230	1	9.80	11.20
HM750HE3H-CM	484*587*195	636	556	237	1	14.20	16.20
HM1K0HE4H-CM	632*587*195	704	636	237	1	18.60	21.30
HM1K2HE5H-CM	780*587*195	852	636	237	1	21.00	23.90
HM1K5HE6H-CM	928*587*195	1000	636	237	1	24.00	27.70